

FAG

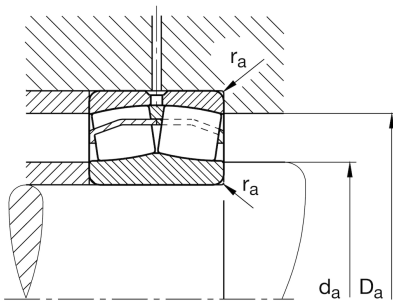
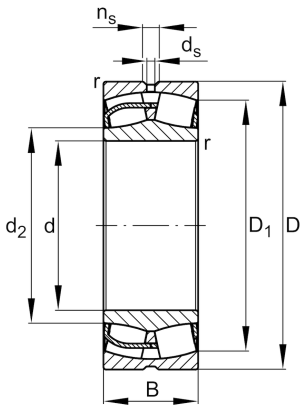
24172-BE-XL

Spherical roller bearing

Schaeffler ID:
0793811540000Spherical roller bearing 241..-BE-XL,
symmetric with rib washer

X-life

Technical information

**Temperature range**

T_{\min}	-30 °C	Operating temperature min.
T_{\max}	200 °C	Operating temperature max.
	268 kg	Weight

Main Dimensions & Performance Data

d	360 mm	Bore diameter
D	600 mm	Outside diameter
B	243 mm	Width
C_r	5.600.000 N	Basic dynamic load rating, radial
C_{0r}	9.100.000 N	Basic static load rating, radial
C_{ur}	680.000 N	Fatigue load limit, radial
n_G	890 1/min	Limiting speed
n_{gr}	350 1/min	Reference speed

Dimensions

r_{\min}	5 mm	Minimum chamfer dimension
D_1	505,9 mm	Bore diameter outer ring
d_2	399,4 mm	Raceway diameter of the inner ring
d_s	9,5 mm	Diameter lubrication hole
n_s	17,7 mm	Width of lubricating groove

Mounting dimensions

$d_{a \min}$	380 mm	Minimum diameter shaft shoulder
$D_{a \max}$	580 mm	Maximum diameter of housing shoulder
$r_{a \max}$	4 mm	Maximum recess radius

Additional information

e	0,4	Limiting value of Fa/Fr for the applicability of diff. Values of factors X and Y
Y ₁	1,69	Dynamic axial load factor
Y ₂	2,52	Dynamic axial load factor
Y ₀	1,65	Static axial load factor