



FAG

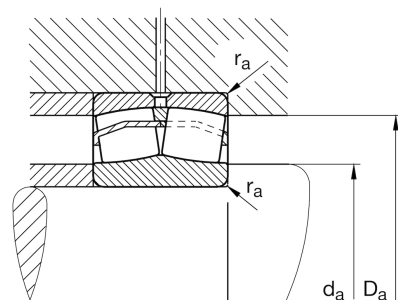
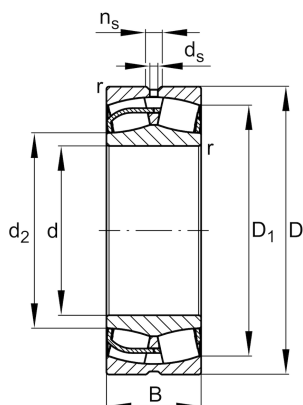
24176-BE-XL

Spherical roller bearing

Schaeffler ID:
0872219000000Spherical roller bearing 241..-BE-XL,
symmetric with rib washer

X-life

Technical information



Main Dimensions & Performance Data

d	380 mm	Bore diameter
D	620 mm	Outside diameter
B	243 mm	Width
C _r	5.800.000 N	Basic dynamic load rating, radial
C _{0r}	9.700.000 N	Basic static load rating, radial
C _{ur}	730.000 N	Fatigue load limit, radial
n _G	850 1/min	Limiting speed
n _{gr}	325 1/min	Reference speed
	281 kg	Weight

Additional information

r _{min}	5 mm	Minimum chamfer dimension
D ₁	528,4 mm	Bore diameter outer ring
d ₂	421 mm	Raceway diameter of the inner ring
d _s	9,5 mm	Diameter lubrication hole
n _s	17,7 mm	Width of lubricating groove

Mounting dimensions

d _{a min}	400 mm	Minimum diameter shaft shoulder
D _{a max}	600 mm	Maximum diameter of housing shoulder
r _{a max}	4 mm	Maximum recess radius

Calculation factors

e	0,38	Limiting value of Fa/Fr for the applicability of diff. Values of factors X and Y
Y ₁	1,76	Dynamic axial load factor
Y ₂	2,62	Dynamic axial load factor
Y ₀	1,72	Static axial load factor

Temperature range

T _{min}	-30 °C	Operating temperature min.
T _{max}	200 °C	Operating temperature max.