

FAG

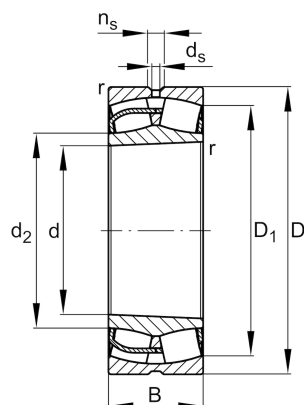
24176-BE-XL-K30

Spherical roller bearing

Schaeffler ID:
0872227950000Spherical roller bearings 241...-BE-K30,
main dimensions to DIN 635-2, with
tapered bore, taper 1:30

X-life

Technical information



Main Dimensions & Performance Data

| | | |
|----------|-------------|-----------------------------------|
| d | 380 mm | Bore diameter |
| D | 620 mm | Outside diameter |
| B | 243 mm | Width |
| C_r | 5.800.000 N | Basic dynamic load rating, radial |
| C_{0r} | 9.700.000 N | Basic static load rating, radial |
| C_{ur} | 730.000 N | Fatigue load limit, radial |
| n_G | 850 1/min | Limiting speed |
| n_{gr} | 325 1/min | Reference speed |
| | 276 kg | Weight |

Additional information

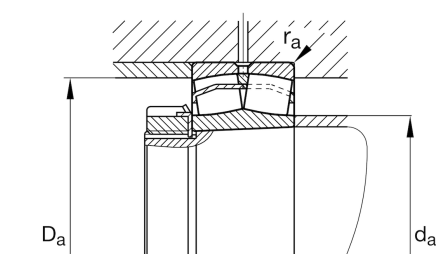
| | | |
|-----------|-----------|------------------------------------|
| r_{min} | 5 mm | Minimum chamfer dimension |
| D_1 | 528,4 mm | Bore diameter outer ring |
| | AH24176-H | Withdrawal sleeve |
| d_2 | 421 mm | Raceway diameter of the inner ring |
| d_s | 9,5 mm | Diameter lubrication hole |
| n_s | 17,7 mm | Width of lubricating groove |

Mounting dimensions

| | | |
|-------------|--------|--------------------------------------|
| $d_{a min}$ | 400 mm | Minimum diameter shaft shoulder |
| $D_{a max}$ | 600 mm | Maximum diameter of housing shoulder |
| $r_{a max}$ | 4 mm | Maximum recess radius |

Calculation factors

| | | |
|-------|------|---|
| e | 0,38 | Limiting value of F_a/F_r for the applicability of diff. Values of factors X and Y |
| Y_1 | 1,76 | Dynamic axial load factor |
| Y_2 | 2,62 | Dynamic axial load factor |
| Y_0 | 1,72 | Static axial load factor |



Temperature range

| | | |
|------------------|--------|----------------------------|
| T _{min} | -30 °C | Operating temperature min. |
| T _{max} | 200 °C | Operating temperature max. |