

FAG

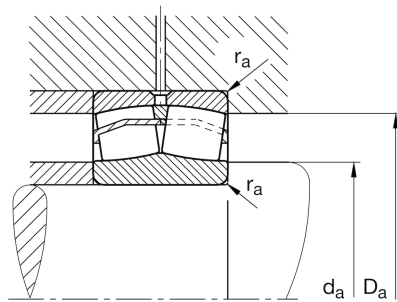
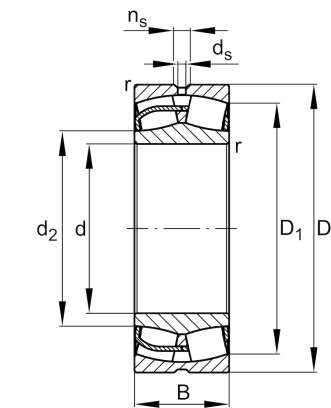
24180-BE-XL

Spherical roller bearing

Schaeffler ID:
0863266190000Spherical roller bearing 241..-BE-XL,
symmetric with rib washer

X-life

Technical information

**Temperature range**

T_{min}	-30 °C	Operating temperature min.
T_{max}	200 °C	Operating temperature max.
	317,5 kg	Weight

Main Dimensions & Performance Data

d	400 mm	Bore diameter
D	650 mm	Outside diameter
B	250 mm	Width
C_r	6.200.000 N	Basic dynamic load rating, radial
C_{0r}	10.600.000 N	Basic static load rating, radial
C_{ur}	790.000 N	Fatigue load limit, radial
n_G	800 1/min	Limiting speed
n_{gr}	300 1/min	Reference speed

Dimensions

r_{min}	6 mm	Minimum chamfer dimension
D_1	556,5 mm	Bore diameter outer ring
d_2	448,8 mm	Raceway diameter of the inner ring
d_s	12,5 mm	Diameter lubrication hole
n_s	23,5 mm	Width of lubricating groove

Mounting dimensions

$d_{a min}$	426 mm	Minimum diameter shaft shoulder
$D_{a max}$	624 mm	Maximum diameter of housing shoulder
$r_{a max}$	5 mm	Maximum recess radius

Additional information

e	0,37	Limiting value of Fa/Fr for the applicability of diff. Values of factors X and Y
Y ₁	1,82	Dynamic axial load factor
Y ₂	2,7	Dynamic axial load factor
Y ₀	1,78	Static axial load factor