

FAG

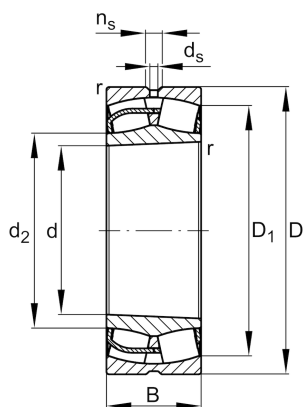
24184-BE-XL-K30

Spherical roller bearing

Schaeffler ID:
0825201430000Spherical roller bearings 241...-BE-K30,
main dimensions to DIN 635-2, with
tapered bore, taper 1:30

X-life

Technical information



Main Dimensions & Performance Data

d	420 mm	Bore diameter
D	700 mm	Outside diameter
B	280 mm	Width
C_r	7.400.000 N	Basic dynamic load rating, radial
C_{0r}	12.600.000 N	Basic static load rating, radial
C_{ur}	890.000 N	Fatigue load limit, radial
n_G	720 1/min	Limiting speed
n_{gr}	270 1/min	Reference speed
	419,5 kg	Weight

Additional information

r_{min}	6 mm	Minimum chamfer dimension
D_1	592,2 mm	Bore diameter outer ring
	AH24184-H	Withdrawal sleeve
d_2	472,7 mm	Raceway diameter of the inner ring
d_s	12,5 mm	Diameter lubrication hole
n_s	23,5 mm	Width of lubricating groove

Mounting dimensions

$d_{a min}$	446 mm	Minimum diameter shaft shoulder
$D_{a max}$	674 mm	Maximum diameter of housing shoulder
$r_{a max}$	5 mm	Maximum recess radius

Calculation factors

e	0,39	Limiting value of F_a/F_r for the applicability of diff. Values of factors X and Y
Y_1	1,72	Dynamic axial load factor
Y_2	2,56	Dynamic axial load factor
Y_0	1,68	Static axial load factor

Temperature range

T _{min}	-30 °C	Operating temperature min.
T _{max}	200 °C	Operating temperature max.