

FAG

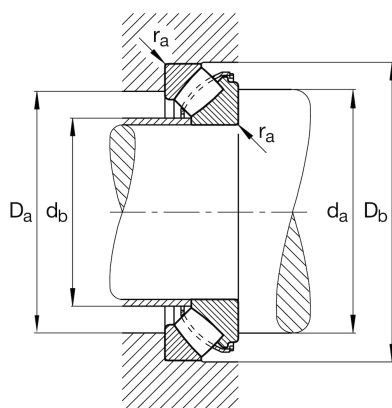
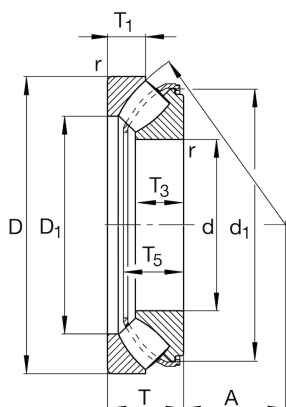
**29464-E1-XL**

Axial spherical roller bearing

Schaeffler ID:  
0390006640000Axial spherical roller bearing 294..-E1-XL,  
no flanging ring

X-life

## Technical information

**Main Dimensions & Performance Data**

d	320 mm	Bore diameter
D	580 mm	Outside diameter
T	155 mm	Height
$C_a$	6.000.000 N	Basic dynamic load rating, axial
$C_{0a}$	19.100.000 N	Basic static load rating, axial
$C_{ua}$	1.790.000 N	Fatigue load limit, axial
$n_G$	1.090 1/min	Limiting speed
$n_{gr}$	530 1/min	Reference speed
	163,06 kg	Weight

**Dimensions**

$D_1$	422 mm	Bore diameter housing washer
$d_1$	534,4 mm	Rip diameter shaft washer
$r_{min}$	7,5 mm	Minimum chamfer dimension
$T_1$	74,5 mm	Height of the housing washer
$T_3$	102 mm	Height of the shaft washer
$T_5$	139,7 mm	Distance shaft washer - cage
A	191 mm	Distance of the center point

**Mounting dimensions**

$d_{a min}$	445 mm	Minimum diameter shaft shoulder
$D_{a max}$	507 mm	Maximum diameter of housing shoulder
$D_{b min}$	590 mm	Minimum bore diameter housing
$d_{b max}$	367 mm	Maximum distance sleeve
$d_{b1 max}$	346 mm	Maximum chamfer diameter of distance sleeve
$r_{a max}$	6 mm	Maximum recess radius
	30 °	Angle of chamfer of the distance sleeve

**Temperature range**

$T_{\min}$	-30 °C	Operating temperature min.
$T_{\max}$	200 °C	Operating temperature max.

