

FAG

★ WS22210-E1-XL-K-2RSR

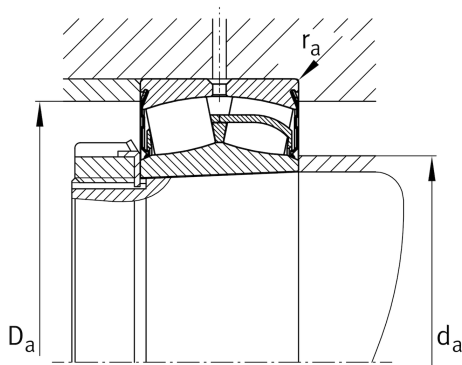
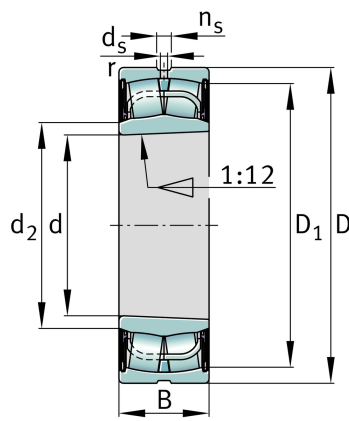
Spherical roller bearing

Schaeffler ID:
0867200580000Spherical roller bearing WS222..-E1-XL-
K-2RSR, symmetric with cage guidance
ring

★ Preferred product

X-life

Technical information



Temperature range

| | | |
|-----------|---------|----------------------------|
| T_{min} | -30 °C | Operating temperature min. |
| T_{max} | 100 °C | Operating temperature max. |
| | 0,67 kg | Weight |

Main Dimensions & Performance Data

| | | |
|----------|-------------|-----------------------------------|
| d | 50 mm | Bore diameter |
| D | 90 mm | Outside diameter |
| B | 28 mm | Width |
| C_r | 109.000 N | Basic dynamic load rating, radial |
| C_{0r} | 107.000 N | Basic static load rating, radial |
| C_{ur} | 14.600 N | Fatigue load limit, radial |
| n_G | 2.440 1/min | Limiting speed |

Dimensions

| | | |
|-----------|---------|------------------------------------|
| r_{min} | 1,1 mm | Minimum chamfer dimension |
| D_1 | 83,1 mm | Bore diameter outer ring |
| d_2 | 56 mm | Raceway diameter of the inner ring |
| d_s | 3,2 mm | Diameter lubrication hole |
| n_s | 4,8 mm | Width of lubricating groove |

Mounting dimensions

| | | |
|-------------|---------|---------------------------------------|
| $d_{a min}$ | 56 mm | Minimum diameter shaft shoulder |
| $d_{a max}$ | 56 mm | Maximum diameter of shaft shoulder |
| $D_{a max}$ | 83,1 mm | Maximum diameter of housing shoulder |
| $r_{a max}$ | 1 mm | Maximum recess radius |
| $d_{b min}$ | 55 mm | Minimum cavity diameter of the sleeve |
| $B_{a min}$ | 10 mm | Minimum cavity width of the sleeve |

Additional information

| | | |
|----------------|--------|--|
| e | 0,23 | Limiting value of Fa/Fr for the applicability of diff. Values of factors X and Y |
| | H310-T | Adapter sleeve |
| Y ₁ | 2,95 | Dynamic axial load factor |
| Y ₂ | 4,4 | Dynamic axial load factor |
| Y ₀ | 2,89 | Static axial load factor |