

FAG

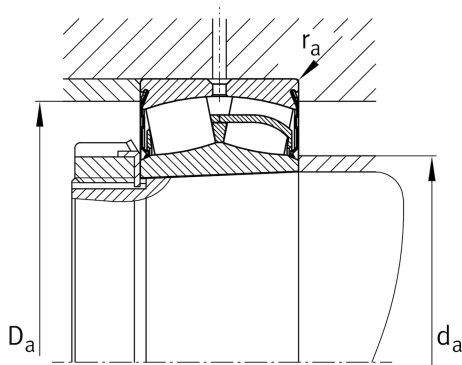
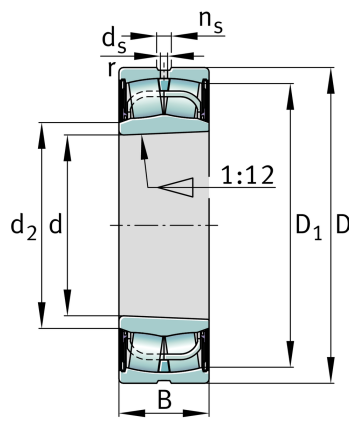
WS22212-E1-XL-K-2RSR

Spherical roller bearing

Schaeffler ID:
0821529690000Spherical roller bearing WS222..-E1-XL-
K-2RSR, symmetric with cage guidance
ring

X-life

Technical information

**Temperature range**

T_{min}	-30 °C	Operating temperature min.
T_{max}	100 °C	Operating temperature max.
	1,23 kg	Weight

Main Dimensions & Performance Data

d	60 mm	Bore diameter
D	110 mm	Outside diameter
B	34 mm	Width
C_r	160.000 N	Basic dynamic load rating, radial
C_{0r}	155.000 N	Basic static load rating, radial
C_{ur}	20.700 N	Fatigue load limit, radial
n_G	2.030 1/min	Limiting speed

Dimensions

r_{min}	1,5 mm	Minimum chamfer dimension
D_1	100,7 mm	Bore diameter outer ring
d_2	67,6 mm	Raceway diameter of the inner ring
d_s	3,2 mm	Diameter lubrication hole
n_s	6,5 mm	Width of lubricating groove

Mounting dimensions

$d_{a min}$	67,6 mm	Minimum diameter shaft shoulder
$d_{a max}$	67,6 mm	Maximum diameter of shaft shoulder
$D_{a max}$	101 mm	Maximum diameter of housing shoulder
$r_{a max}$	1,5 mm	Maximum recess radius
$d_{b min}$	65 mm	Minimum cavity diameter of the sleeve
$B_{a min}$	8 mm	Minimum cavity width of the sleeve

Additional information

e	0,23	Limiting value of Fa/Fr for the applicability of diff. Values of factors X and Y
	H312-T	Adapter sleeve
Y ₁	2,98	Dynamic axial load factor
Y ₂	4,44	Dynamic axial load factor
Y ₀	2,92	Static axial load factor