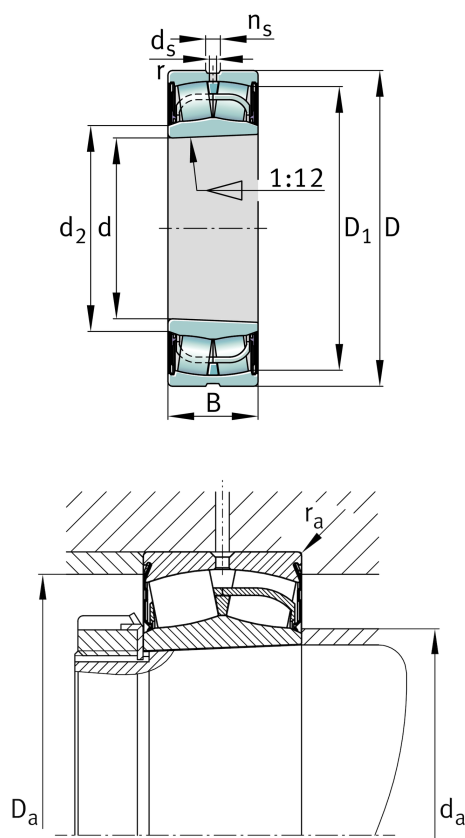
**WS22213-E1-XL-K-2RSR**

Spherical roller bearing

Schaeffler ID:  
0867203760000Spherical roller bearing WS222..-E1-XL-  
K-2RSR, symmetric with cage guidance  
ring

## Technical information

**Temperature range**

$T_{min}$	-30 °C	Operating temperature min.
$T_{max}$	100 °C	Operating temperature max.
	1,687 kg	Weight

**Main Dimensions & Performance Data**

d	65 mm	Bore diameter
D	120 mm	Outside diameter
B	38 mm	Width
$C_r$	202.000 N	Basic dynamic load rating, radial
$C_{0r}$	210.000 N	Basic static load rating, radial
$C_{ur}$	26.500 N	Fatigue load limit, radial
$n_G$	1.740 1/min	Limiting speed

**Dimensions**

$r_{min}$	1,5 mm	Minimum chamfer dimension
$D_1$	110,2 mm	Bore diameter outer ring
$d_2$	76,2 mm	Raceway diameter of the inner ring
$d_s$	3,2 mm	Diameter lubrication hole
$n_s$	6,5 mm	Width of lubricating groove

**Mounting dimensions**

$d_{a min}$	76,2 mm	Minimum diameter shaft shoulder
$d_{a max}$	76,2 mm	Maximum diameter of shaft shoulder
$D_{a max}$	111 mm	Maximum diameter of housing shoulder
$r_{a max}$	1,5 mm	Maximum recess radius
$d_{b min}$	70 mm	Minimum cavity diameter of the sleeve
$B_{a min}$	8 mm	Minimum cavity width of the sleeve

**Additional information**

e	0,24	Limiting value of Fa/Fr for the applicability of diff. Values of factors X and Y
	H313-T	Adapter sleeve
Y <sub>1</sub>	2,81	Dynamic axial load factor
Y <sub>2</sub>	4,19	Dynamic axial load factor
Y <sub>0</sub>	2,75	Static axial load factor