

FAG

★ WS22215-E1-XL-K-2RSR

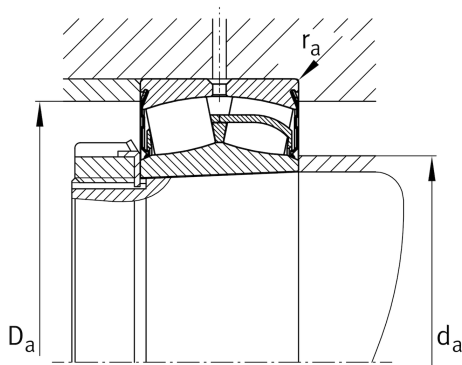
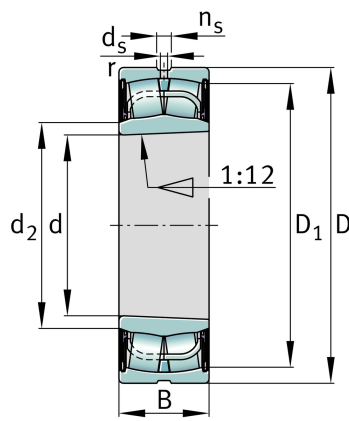
Spherical roller bearing

Schaeffler ID:
0828366980000Spherical roller bearing WS222..-E1-XL-
K-2RSR, symmetric with cage guidance
ring

★ Preferred product

X-life

Technical information



Temperature range

T_{\min}	-30 °C	Operating temperature min.
T_{\max}	100 °C	Operating temperature max.
	1,93 kg	Weight

Main Dimensions & Performance Data

d	75 mm	Bore diameter
D	130 mm	Outside diameter
B	38 mm	Width
C_r	216.000 N	Basic dynamic load rating, radial
C_{0r}	237.000 N	Basic static load rating, radial
C_{ur}	30.500 N	Fatigue load limit, radial
n_G	1.630 1/min	Limiting speed

Dimensions

r_{\min}	1,5 mm	Minimum chamfer dimension
D_1	120,2 mm	Bore diameter outer ring
d_2	85,6 mm	Raceway diameter of the inner ring
d_s	3,2 mm	Diameter lubrication hole
n_s	6,5 mm	Width of lubricating groove

Mounting dimensions

$d_{a \min}$	84 mm	Minimum diameter shaft shoulder
$d_{a \max}$	85,6 mm	Maximum diameter of shaft shoulder
$D_{a \max}$	121 mm	Maximum diameter of housing shoulder
$r_{a \max}$	1,5 mm	Maximum recess radius
$d_{b \min}$	80 mm	Minimum cavity diameter of the sleeve
$B_{a \min}$	12 mm	Minimum cavity width of the sleeve

Additional information

e	0,22	Limiting value of Fa/Fr for the applicability of diff. Values of factors X and Y
	H315-T	Adapter sleeve
Y ₁	3,1	Dynamic axial load factor
Y ₂	4,62	Dynamic axial load factor
Y ₀	3,03	Static axial load factor