

FAG

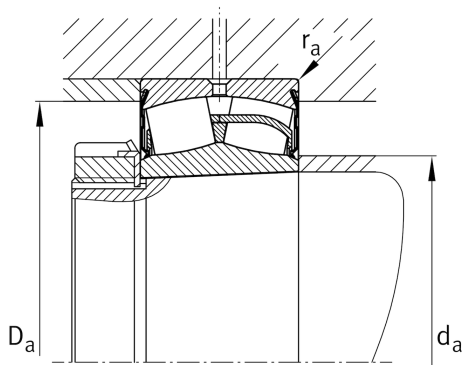
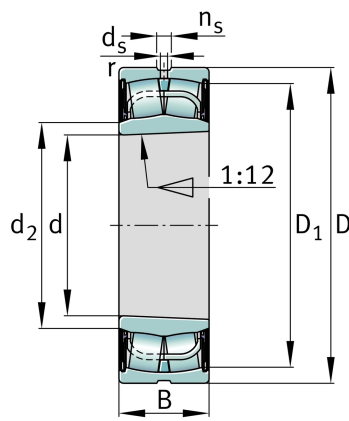
WS22216-E1-XL-K-2RSR

Spherical roller bearing

Schaeffler ID:
0821816590000Spherical roller bearing WS222..-E1-XL-
K-2RSR, symmetric with cage guidance
ring

X-life

Technical information



Temperature range

T_{min}	-30 °C	Operating temperature min.
T_{max}	100 °C	Operating temperature max.
	2,323 kg	Weight

Main Dimensions & Performance Data

d	80 mm	Bore diameter
D	140 mm	Outside diameter
B	40 mm	Width
C_r	250.000 N	Basic dynamic load rating, radial
C_{0r}	270.000 N	Basic static load rating, radial
C_{ur}	34.500 N	Fatigue load limit, radial
n_G	1.540 1/min	Limiting speed

Dimensions

r_{min}	2 mm	Minimum chamfer dimension
D_1	128,6 mm	Bore diameter outer ring
d_2	91,3 mm	Raceway diameter of the inner ring
d_s	3,2 mm	Diameter lubrication hole
n_s	6,5 mm	Width of lubricating groove

Mounting dimensions

$d_{a min}$	91 mm	Minimum diameter shaft shoulder
$d_{a max}$	91,3 mm	Maximum diameter of shaft shoulder
$D_{a max}$	129 mm	Maximum diameter of housing shoulder
$r_{a max}$	2 mm	Maximum recess radius
$d_{b min}$	85 mm	Minimum cavity diameter of the sleeve
$B_{a min}$	12 mm	Minimum cavity width of the sleeve

Additional information

e	0,22	Limiting value of Fa/Fr for the applicability of diff. Values of factors X and Y
	H316-T	Adapter sleeve
Y ₁	3,14	Dynamic axial load factor
Y ₂	4,67	Dynamic axial load factor
Y ₀	3,07	Static axial load factor