



TCJ75-XL

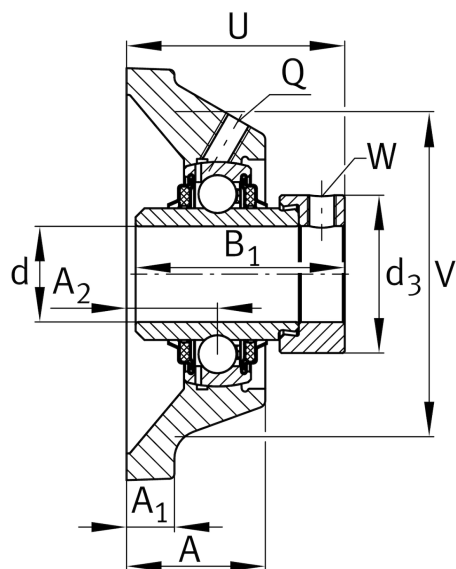
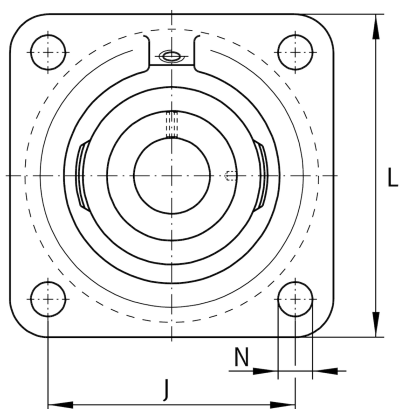
Flanged housing unit

Schaeffler ID:
0009831360000

Housing units TCJ, four-bolt flanged housing units, cast iron, eccentric locking collar, T seals

X-life

Technical information



Main Dimensions & Performance Data

d	75 mm	Bore diameter
L	197 mm	Flange width
U	86,9 mm	Total height unit
C_r	66.000 N	Basic dynamic load rating, radial
C_{0r}	44.500 N	Basic static load rating, radial
C_{ur}	2.300 N	Fatigue load limit, radial
	5,83 kg	Weight

Dimensions

A	55,8 mm	Height housing
	1	Number of housings
A_1	20 mm	Thickness of flange
A_2	41,3 mm	Distance raceway
	CJ15	Housing
	GE75-XL-KTT-B	Bearing designation
V	170 mm	Shoulder diameter housing
Q	M6	Connection thread lubrication

Mounting dimensions

J	153 mm	Distance fixing bore
N	23 mm	Fixing bore
n	4	Number of screwing holes