



TCJT65-214-XL

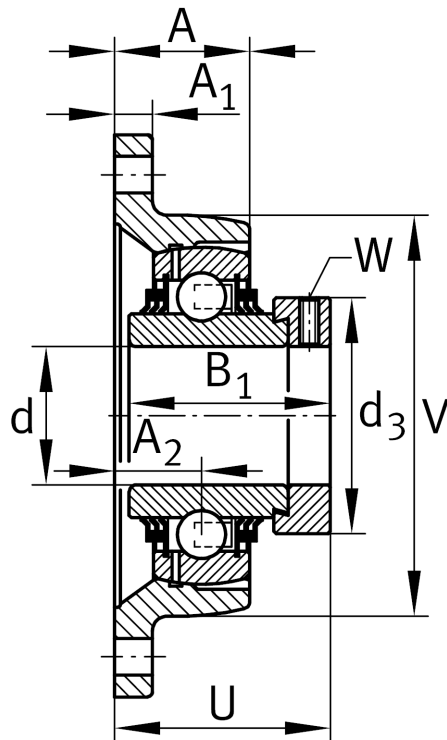
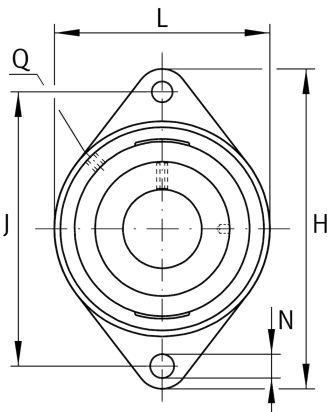
Flanged housing unit

Schaeffler ID:
0009792790000

Housing units TCJT, two-bolt flanged housing units, cast iron, eccentric locking collar, T seals

X-life

Technical information



Main Dimensions & Performance Data

d	65 mm	Bore diameter
L	160 mm	Flange width
H	258 mm	Height flange
U	82,6 mm	Total height unit
C_r	62.000 N	Basic dynamic load rating, radial
C_{0r}	44.000 N	Basic static load rating, radial
C_{ur}	1.870 N	Fatigue load limit, radial
	5,65 kg	Weight

Dimensions

A	57 mm	Height housing
1		Number of housings
A_1	18 mm	Thickness of flange
A_2	38 mm	Distance raceway
	CJT13/14	Housing
	GE65-214-XL-KTT-B	Bearing designation
V	160 mm	Shoulder diameter housing
Q	M6	Connection thread lubrication

Mounting dimensions

J	216 mm	Distance fixing bore
N	21 mm	Fixing bore
n	2	Number of screwing holes