

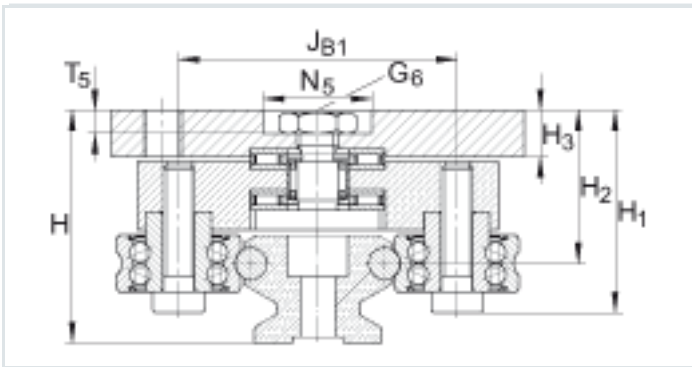
Carriage LFDL32-B (Series LFDL..-B)

bogie carriage; corrosion-resistant design possible

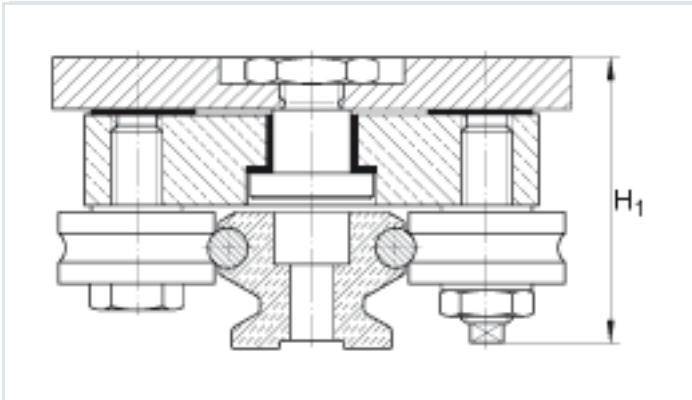
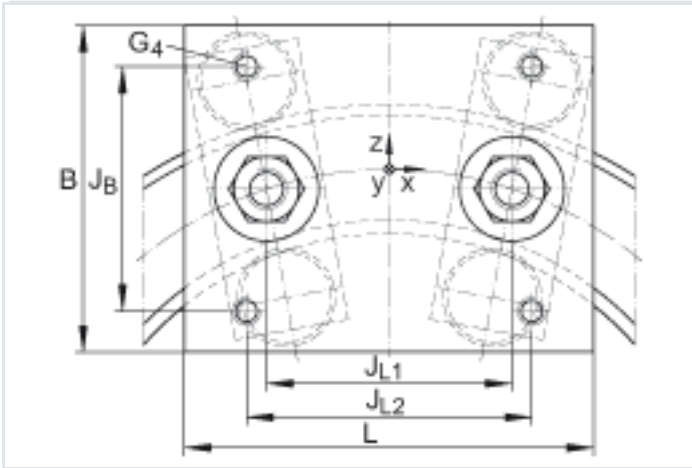
The datasheet is only an overview of dimensions and basic load ratings of the selected product. Please always observe all the guidelines in these overview pages. Further information is given on many products under the menu item "Description". You can also order comprehensive information via the Catalogue ordering system (https://www.schaeffler.de/content.schaeffler.de/en/news_media/index.jsp) or by telephone on +49 (91 32) 82 - 28 97.

H1	43 mm
B	80 mm
L	100 mm
G4	M8
G6	M8
H	Total height of carriage and guideway: H = 44,2 mm For LFS, -C, -CE, -CEE, -E, -EE, -N, -NZZ
H2	29,2 mm Tolerance: +0,3/0
H3	9 mm
JB	60 mm
JB1	54 mm
JL1	60 mm
JL2	70 mm

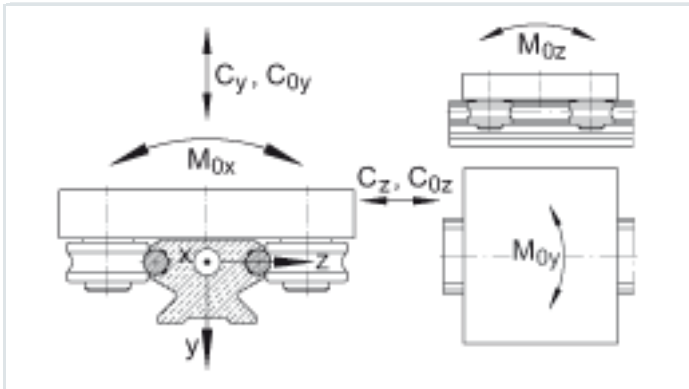
N ₅	21 mm	
T ₅	5 mm	
mw	1000 g	Mass of carriage
MA	15 Nm	Tightening torque for track roller bolts, concentric bolts are supplied tightened to MA.
		The load carrying capacity table is not valid for "RB" designs. Corrosion-resistant design available by agreement
C _y	4100 N	Basic dynamic load rating in y direction
C _{0y}	2400 N	Basic static load rating in y direction
C _z	6600 N	Basic dynamic load rating in z direction
C _{0z}	4200 N	Basic static load rating in z direction
M _{0x}	30 Nm	Static moment rating about X axis
M _{0y}	130 Nm	Static moment rating about Y axis
M _{0z}	70 Nm	Static moment rating about Z axis
		The carriages can also be fitted with lubrication and wiper units AB (special accessories) to protect the raceways. Please ask for further information.
	LFR50/8-6-2Z	Track roller used For shaft diameter: 6 mm For ordering of replacement parts, please contact us.
	LFS32	The calculation of basic load ratings and moment ratings is based on the use of this guideway



LFDL..-SF with LFS, -C, -CE, -CEE, -E, -EE, -N, -NZZ



LFDL..-B



Load directions