

Carriage LFL20-SF (Series LFL..-SF)

open carriage, standard design, clearance-free; corrosion-resistant design possible

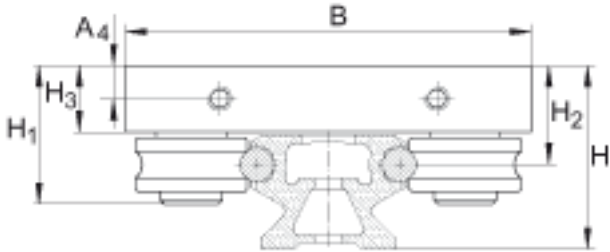
The datasheet is only an overview of dimensions and basic load ratings of the selected product. Please always observe all the guidelines in these overview pages. Further information is given on many products under the menu item "Description". You can also order comprehensive information via the Catalogue ordering system (https://www.schaeffler.de/content.schaeffler.de/en/news_media/index.jsp) or by telephone on +49 (91 32) 82 - 28 97.

H1	20,5 mm	
B	55 mm	
L	50 mm	
G3	M3	Hole in underside for cap wiper AB.LFL20
G4	M5	
H	Total height of carriage and guideway: H = 22 mm For LFS, -C, -CE, -CEE, -E, -EE, -N, -NZZ	
H2	13 mm	Tolerance: +0,3/0
H3	9 mm	
JB	40 mm	Tolerance: +0,2/-0,2
JB1	34 mm	
JL1	24 mm	

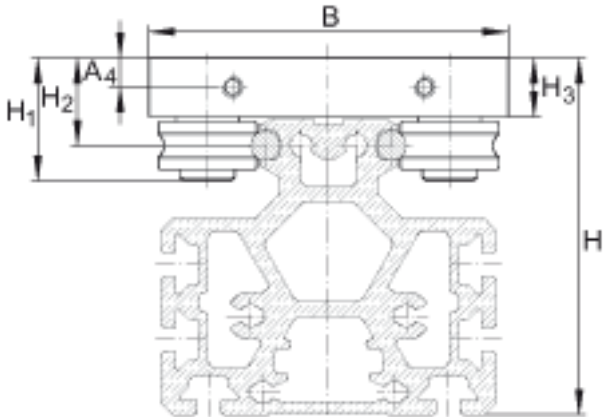
JL2	38 mm	Tolerance: +0,2/-0,2
mw	160 g	Mass of carriage
MA	2,5 Nm	Valid for standard design. Tightening torque for track roller bolts, concentric bolts are supplied tightened to MA.
MA	2,5 Nm	Valid for corrosion-resistant design "RB". Tightening torque for track roller bolts, concentric bolts are supplied tightened to MA.
		The basic load ratings are not valid for "-RB" designs.
Cy	1350 N	Basic dynamic load rating in y direction
C0y	870 N	Basic static load rating in y direction
Cz	2400 N	Basic dynamic load rating in z direction
C0z	1700 N	Basic static load rating in z direction
M0x	7 Nm	Static moment rating about X axis
M0y	20 Nm	Static moment rating about Y axis
M0z	10 Nm	Static moment rating about Z axis
		<p>Ordering designation:</p> <ul style="list-style-type: none"> - Corrosion-resistant design: Carriage: LFCL..-RB Guideway: LFS..-RB Track roller: LFR..-2RSR-RB - Guideway without holes: LFS..-OL

LFR50/5-4-2Z Track roller used
 For shaft diameter: 4 mm
 For ordering of replacement parts, please contact us.

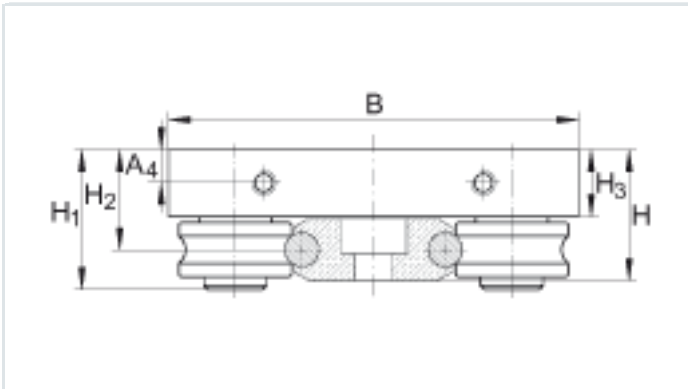
LFS20 The calculation of basic load ratings and moment ratings is based on the use of this guideway



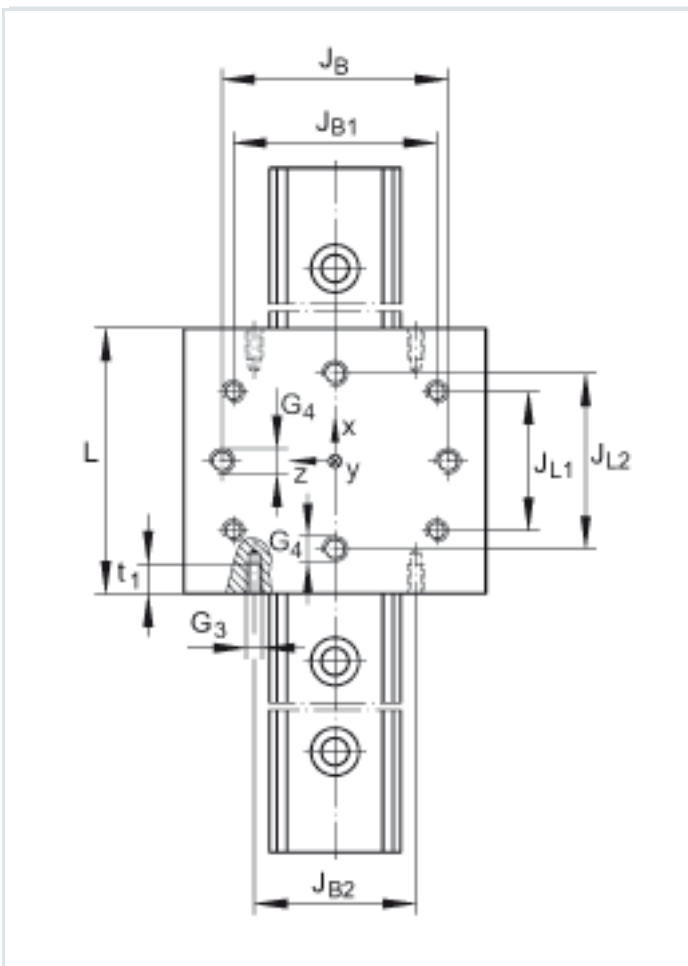
LFL with LFS, -C, -CE, -CEE, -E, -EE, -N, -NZZ



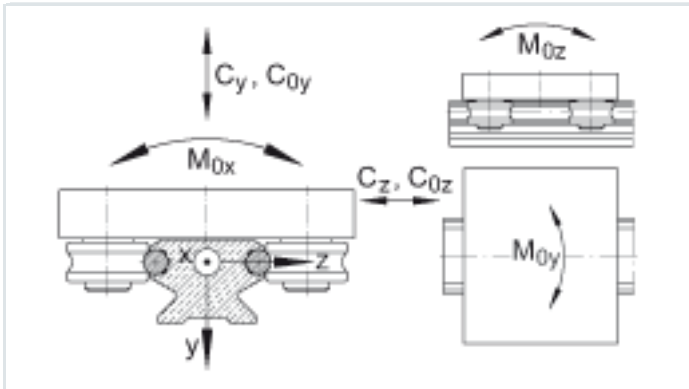
LFL with LFS..-M



LFL with LFS..-F, -FE



LFL with LFS, -C, -CE, -CEE, -E, -EE, -N, -NZZ, -M, -F, -FE



Load directions