

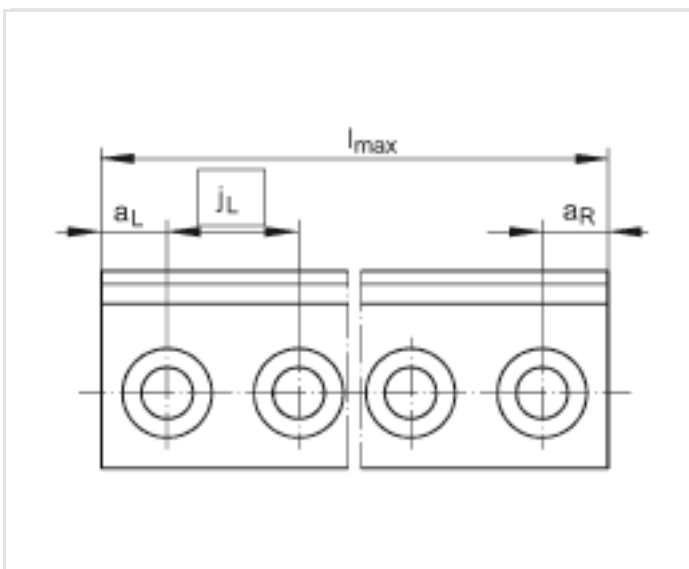
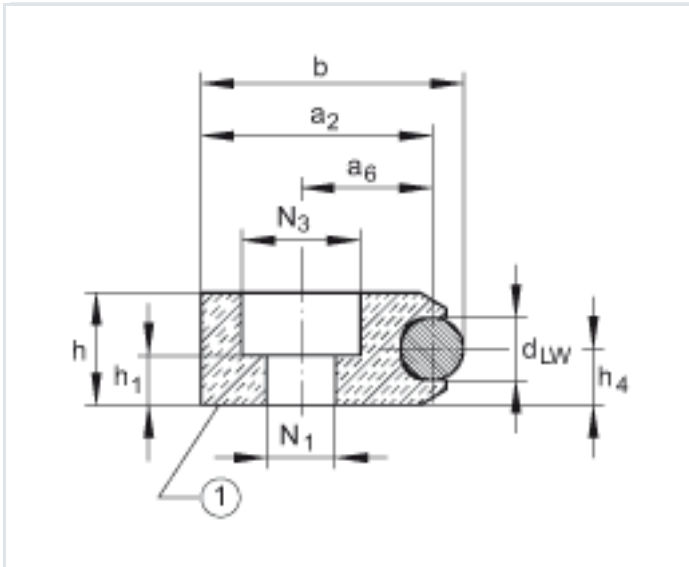
Guideways LFS52-FH (Series LFS..-FH)

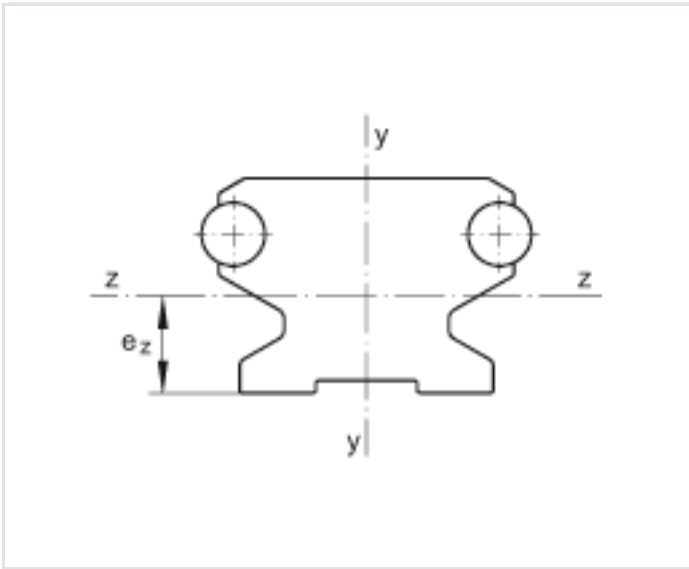
flat solid profile, half guideway, with one raceway shaft;
corrosion-resistant design possible

The datasheet is only an overview of dimensions and basic load ratings of the selected product. Please always observe all the guidelines in these overview pages. Further information is given on many products under the menu item "Description". You can also order comprehensive information via the Catalogue ordering system (https://www.schaeffler.de/content.schaeffler.de/en/news_media/index.jsp) or by telephone on +49 (91 32) 82 - 28 97.

h	18 mm	
b	42 mm	
l _{max}	6000 mm	Maximum length L of guideway; longer guideways are supplied in several sections and are marked accordingly.
1)	Underside marked	
a ₂	37 mm	
a ₆	21 mm	
a _{L max}	235 mm	a _L and a _R are dependent on the guideway length L
a _{L min}	17 mm	a _L and a _R are dependent on the guideway length L
a _{R max}	235 mm	a _L and a _R are dependent on the guideway length L
a _{R min}	10 mm	a _L and a _R are dependent on the guideway length L
d _{LW}	10 mm	
e _z	9 mm	

h ₁	8 mm	Counterbore depth for screws to DIN 7984.
h ₄	9 mm	
j _L	250 mm	
LF _Q	629 mm ²	Value for cross-sectional area
I _y	66642 mm ⁴	
I _z	17798 mm ⁴	
N ₁	11 mm	For screws to DIN 912-8.8 (DIN EN ISO 4762), under maximum load support washers to DIN 433 (DIN EN ISO 4762) are required.
N ₃	19 mm	
W _y	3765 mm ³	
W _z	1977 mm ³	
ms	2300 g/m	Mass of guideway
		Ordering designation: - Guideways without holes: LFS..-OL - Guideways in design with corrosion protection: LFS..-RB
		Modulus of elasticity for LFS..-CH, -CHE, -CHEE, -FH, -FHE, -FHEE: 72 000 N/mm ²





Bending axes