

Journal LFZ05 (Series LFZ)

concentric bolts for track rollers LFR

The datasheet is only an overview of dimensions and basic load ratings of the selected product. Please always observe all the guidelines in these overview pages. Further information is given on many products under the menu item "Description". You can also order comprehensive information via the Catalogue ordering system (https://www.schaeffler.de/content.schaeffler.de/en/news_media/index.jsp) or by telephone on +49 (91 32) 82 - 28 97.

d	5 mm	
G1	M4	
L	19,5 mm	
Dk	10 mm	
L2	16 mm	
L3	9,5 mm	
S	No washer required	
W	3 mm	
m	10 g	Mass
	LFR50/5-4-2Z	Suitable track rollers
	Mounting situation of LFZ, LFE: a = 9 mm	

(With eccentric bolts, the dimension a varies by +/- E)

b = 8 mm

S: no washer required

c = 4 mm

d = 11,5 mm

LFR50/5-6-2Z

Suitable track rollers

Mounting situation of LFZ, LFE:

a = 10,5 mm

(With eccentric bolts, the dimension a varies by +/- E)

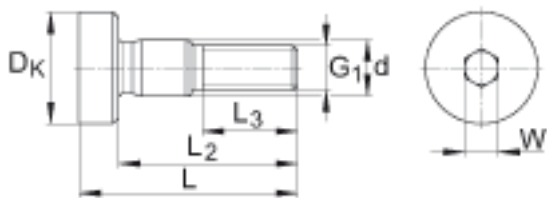
b = 8 mm

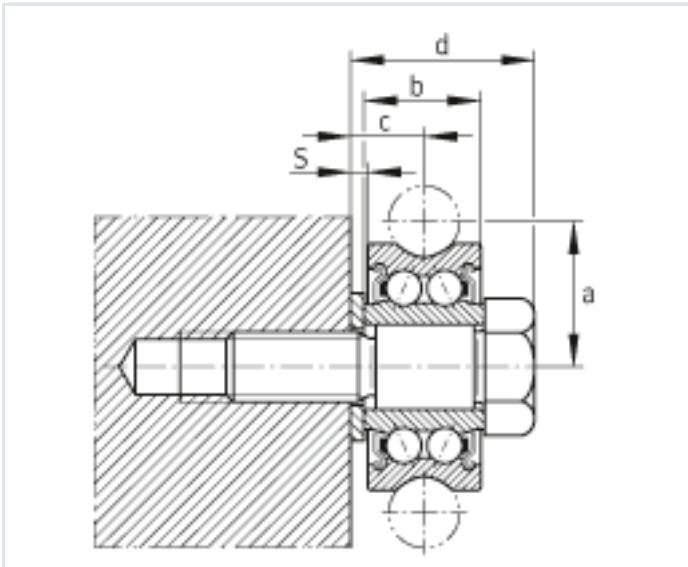
S = 1 mm

c = 5 mm

d = 11,5 mm

Design with corrosion protection available by agreement.





Mounting situation