

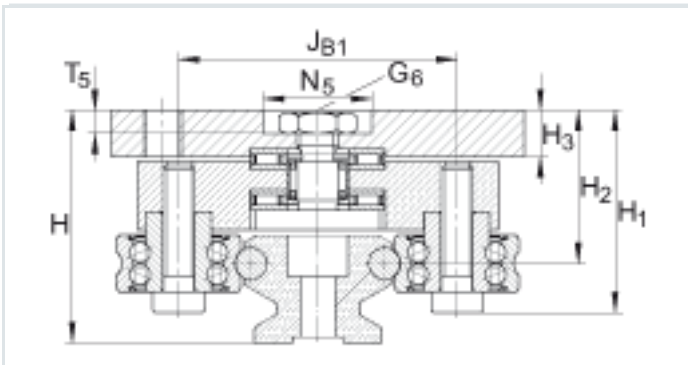
Carriage LFDL52-B (Series LFDL..-B)

bogie carriage; corrosion-resistant design possible

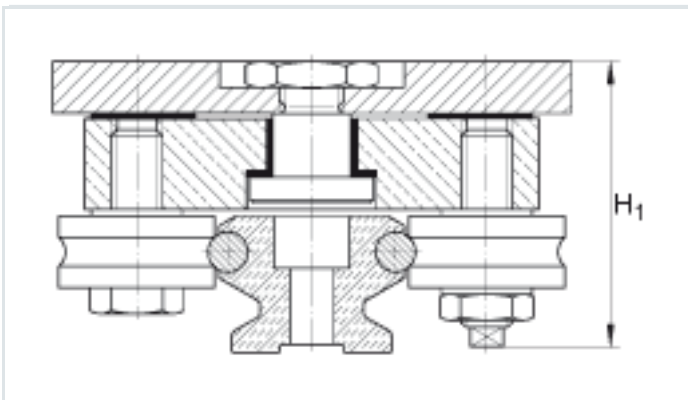
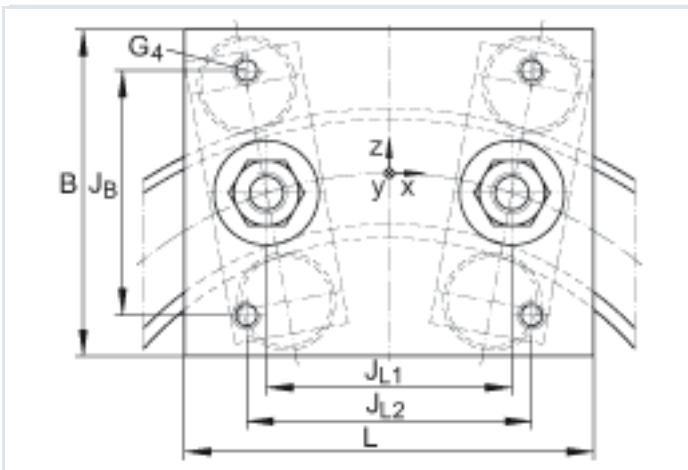
The datasheet is only an overview of dimensions and basic load ratings of the selected product. Please always observe all the guidelines in these overview pages. Further information is given on many products under the menu item "Description". You can also order comprehensive information via the Catalogue ordering system (https://www.schaeffler.de/content.schaeffler.de/en/news_media/index.jsp) or by telephone on +49 (91 32) 82 - 28 97.

H1	65,1 mm
B	120 mm
L	150 mm
G4	M10
G6	M10
H	Total height of carriage and guideway: H = 66,1 mm For LFS, -C, -CE, -CEE, -E, -EE, -N, -NZZ
H2	41 mm Tolerance: +0,3/0
H3	11 mm
JB	90 mm
JB1	83 mm
JL1	76 mm
JL2	90 mm

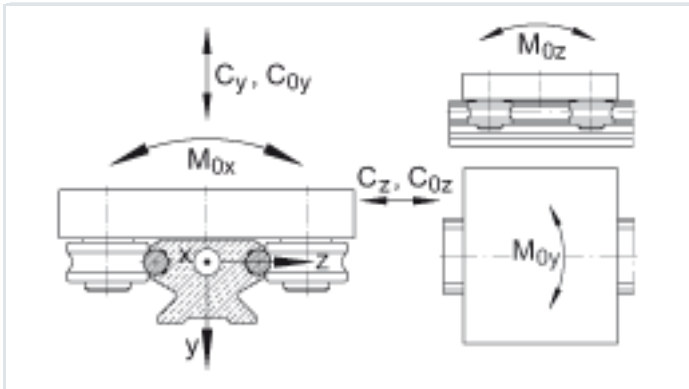
N ₅	26 mm	
T ₅	6 mm	
mw	2500 g	Mass of carriage
MA	40 Nm	Tightening torque for track roller bolts, concentric bolts are supplied tightened to MA.
		The load carrying capacity table is not valid for "RB" designs. Corrosion-resistant design available by agreement
C _y	10000 N	Basic dynamic load rating in y direction
C _{0y}	5200 N	Basic static load rating in y direction
C _z	16800 N	Basic dynamic load rating in z direction
C _{0z}	10000 N	Basic static load rating in z direction
M _{0x}	110 Nm	Static moment rating about X axis
M _{0y}	380 Nm	Static moment rating about Y axis
M _{0z}	200 Nm	Static moment rating about Z axis
		The carriages can also be fitted with lubrication and wiper units AB (special accessories) to protect the raceways. Please ask for further information.
	LFR5201-10-2Z	Track roller used For shaft diameter: 10 mm For ordering of replacement parts, please contact us.
	LFS52	The calculation of basic load ratings and moment ratings is based on the use of this guideway



LFDL..-SF with LFS, -C, -CE,
-CEE, -E, -EE, -N, -NZZ



LFDL..-B



Load directions