

Carriage LFKL52-E-SF (Series LFKL..-E-SF)

compact carriage, wide, long design, clearance-free; corrosion-resistant design possible

The datasheet is only an overview of dimensions and basic load ratings of the selected product. Please always observe all the guidelines in these overview pages. Further information is given on many products under the menu item "Description". You can also order comprehensive information via the Catalogue ordering system (https://www.schaeffler.de/content.schaeffler.de/en/news_media/index.jsp) or by telephone on +49 (91 32) 82 - 28 97.

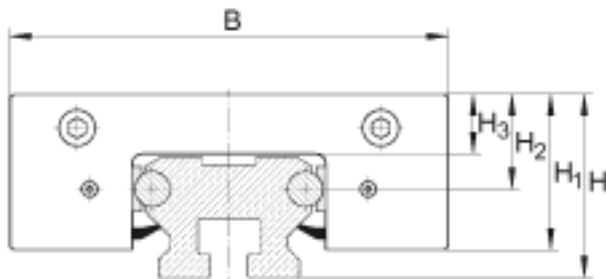
H ₁	53,8 mm	
B	145 mm	
L	186 mm	
G ₄	M10	
H	Total height of carriage and guideway: H = 60,4 mm For LFS, -C, -CE, -CEE, -E, -EE, -N, -NZZ H = 44,3 mm For LFS..-F, -FE H = 125 mm For LFS..-M The guideway LFS..-M can only be combined with carriages with adjustable clearance. If SF and LFKL carriages are to be used, please contact us first	
H ₂	35,3 mm	Tolerance: +0,3/0
H ₃	24 mm	
J _B	105 mm	Tolerance: +0,2/-0,2

JB1	90 mm	
JL1	105 mm	
JL2	110 mm	Tolerance: +0,2/-0,2
K2	10 mm	
mw	2900 g	Mass of carriage
MA	40 Nm	Valid for standard design. Tightening torque for track roller bolts, concentric bolts are supplied tightened to MA.
MA	23 Nm	Valid for corrosion-resistant design "RB". Tightening torque for track roller bolts, concentric bolts are supplied tightened to MA.
		The basic load ratings are not valid for "-RB" designs.
Cy	17800 N	Basic dynamic load rating in y direction
C0y	8900 N	Basic static load rating in y direction
Cz	28400 N	Basic dynamic load rating in z direction
C0z	15500 N	Basic static load rating in z direction
M0x	180 Nm	Static moment rating about X axis
M0y	800 Nm	Static moment rating about Y axis
M0z	460 Nm	Static moment rating about Z axis
		Ordering designation: - Corrosion-resistant design:

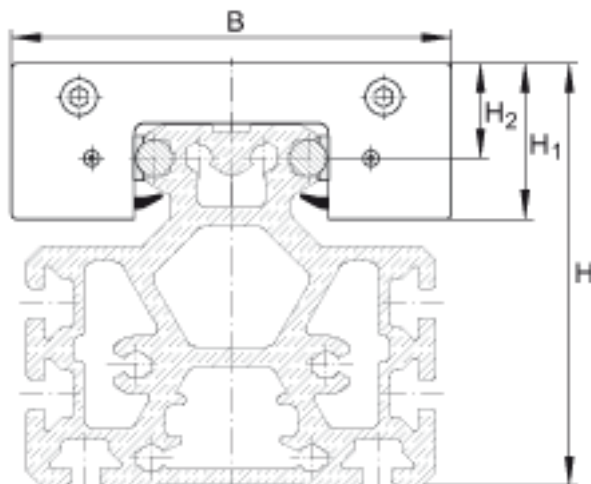
Carriage: LFCL..-RB
 Guideway: LFS..-RB
 Track roller: LFR..-2RSR-RB
 - Guideway without holes:
 LFS..-OL

LFR5301-10-2Z Track roller used
 For shaft diameter: 10 mm
 For ordering of replacement parts, please contact us.

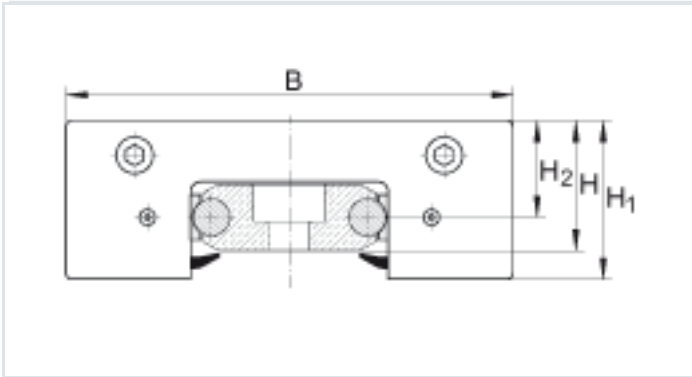
LFS52-E The calculation of basic load ratings and moment ratings is based on the use of this guideway



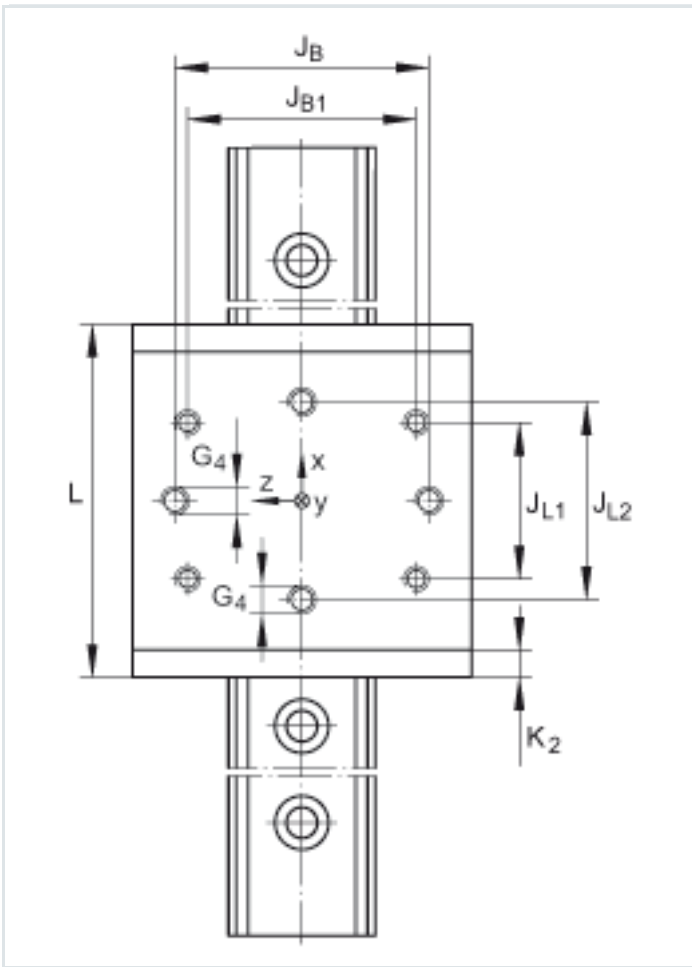
LFKL with LFS, -C, -CE, -CEE, -E, -EE, -N, -NZZ



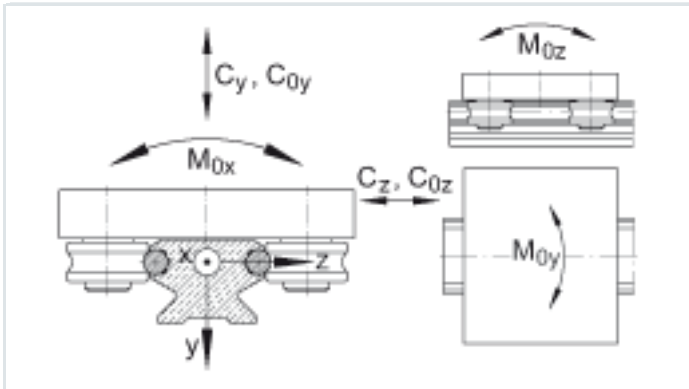
LFKL with LFS..-M



LFKL with LFS..-F, -FE



LFKL with LFS, -C, -CE, -CEE, -E, -EE, -N, -NZZ, -M, -F, -FE



Load directions