

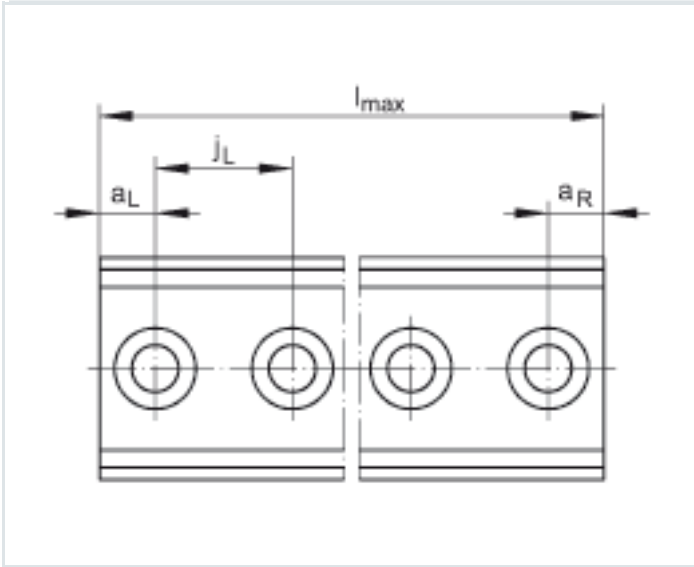
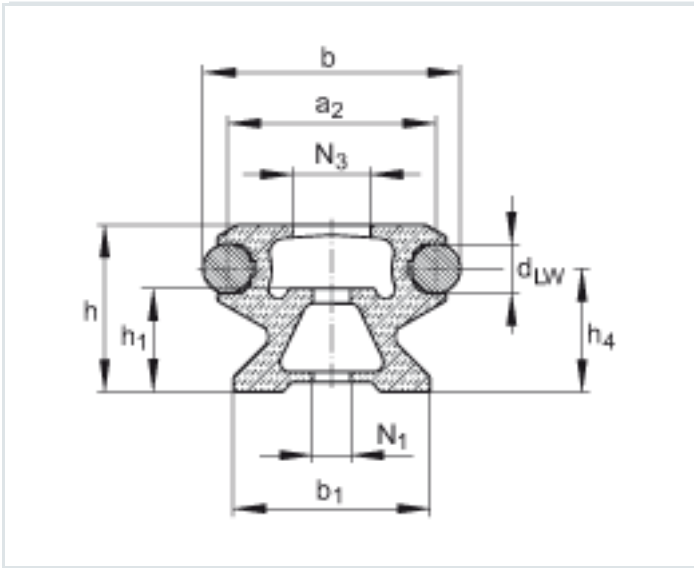
Guideways LFS86-C (Series LFS..-C)

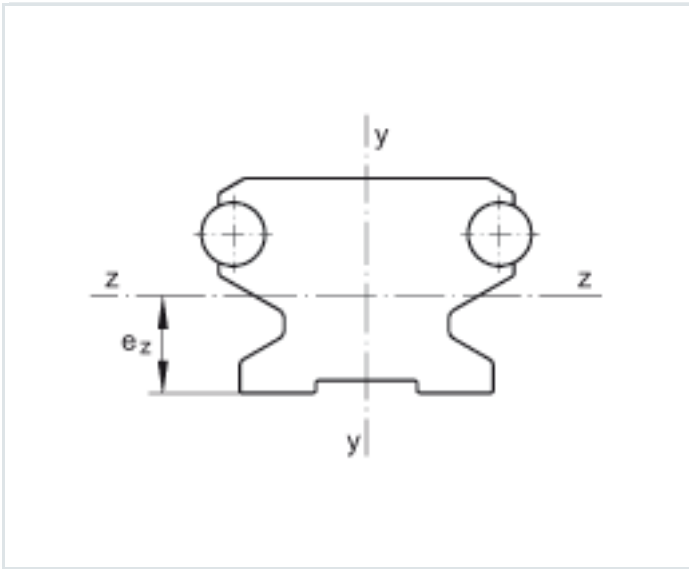
hollow section profile, with two raceway shafts; corrosion-resistant design possible

The datasheet is only an overview of dimensions and basic load ratings of the selected product. Please always observe all the guidelines in these overview pages. Further information is given on many products under the menu item "Description". You can also order comprehensive information via the Catalogue ordering system (https://www.schaeffler.de/content.schaeffler.de/en/news_media/index.jsp) or by telephone on +49 (91 32) 82 - 28 97.

h	34 mm	
b	86 mm	
l _{max}	6000 mm	Maximum length L of guideway; longer guideways are supplied in several sections and are marked accordingly.
1)	Underside marked	
a ₂	76 mm	
a _{L max}	235 mm	a _L and a _R are dependent on the guideway length L
a _{L min}	17 mm	a _L and a _R are dependent on the guideway length L
a _{R max}	235 mm	a _L and a _R are dependent on the guideway length L
a _{R min}	17 mm	a _L and a _R are dependent on the guideway length L
b ₁	71 mm	
d _{LW}	10 mm	
e _z	17,5 mm	

h ₁	21 mm	If support washers to DIN 433 are used, screws to DIN 7984 are recommended.
h ₄	25,1 mm	
j _L	250 mm	
LF _Q	1185 mm ²	Value for cross-sectional area
I _y	613720 mm ⁴	
I _z	155160 mm ⁴	
N ₁	13 mm	
N ₃	21 mm	For a maximum load F _z or F _{oz} , support washers to DIN 433 and the maximum tightening torque (see fitting instructions) must be used.
W _y	16587 mm ³	
W _z	8866 mm ³	
ms	4400 g/m	Mass of guideway
		Ordering designation: - Guideways without holes: LFS..-OL - Guideways in design with corrosion protection: LFS..-RB
		The design of the hollow sections is dependent on the size.
		Modulus of elasticity for LFS..-C, -CE, -CEE, -E, -EE, -F, -FE: 72000 N/mm ²





Bending axes