

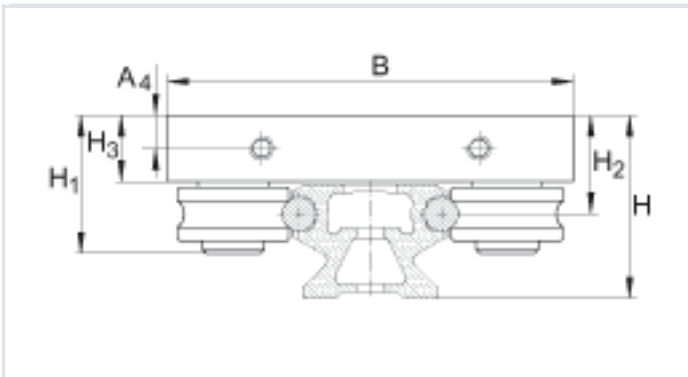
## Carriage LFLL32-SF (Series LFLL..-SF)

non-locating bearing carriage, clearance-free

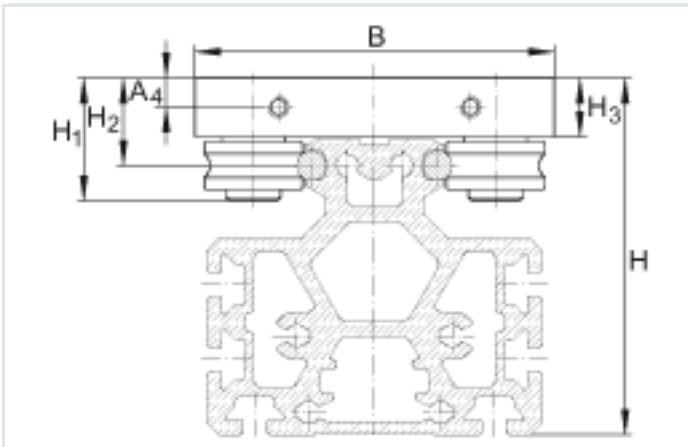
The datasheet is only an overview of dimensions and basic load ratings of the selected product. Please always observe all the guidelines in these overview pages. Further information is given on many products under the menu item "Description". You can also order comprehensive information via the Catalogue ordering system ([https://www.schaeffler.de/content.schaeffler.de/en/news\\_media/index.jsp](https://www.schaeffler.de/content.schaeffler.de/en/news_media/index.jsp)) or by telephone on +49 (91 32) 82 - 28 97.

|    |   |
|----|---|
| H1 | 32,5 mm   |
| B  | 80 mm   |
| L  | 90 mm   |
|    |   |
| A4 | 7 mm  |
| G3 | M6  |
| G4 | M8  |
| H  | <p>Total height of carriage and guideway (axial displacement capacity: +0,5/-0,5):</p> <p>H = 35,5 mm<br/>For LFS, -C, -CE, -CEE, -E, -EE, -N, -NZZ</p> <p>H = 25,5 mm<br/>For LFS..-F, -FE</p> <p>H = 81,5 mm<br/>For LFS..-M</p> <p>The guideway LFS..-M can only be combined with carriages with adjustable clearance.</p> <p>If SF and LFCL carriages are to be used, please contact us first</p> |
| H2 | 20,5 mm    Axial displacement capacity: +0,5/-0,5   |

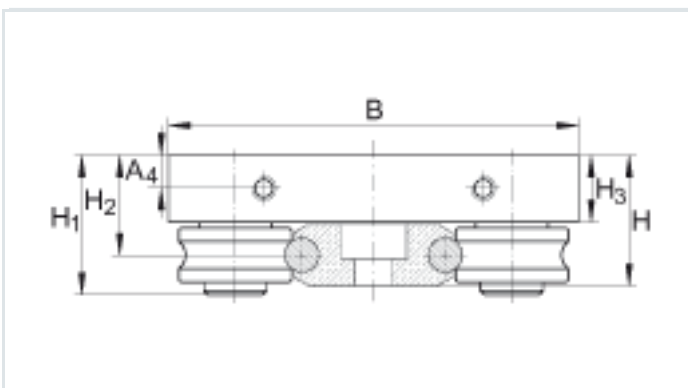
|  |  |   |
|--|--|---|
| H3   | 13,75 mm   |   |
| JB   | 59 mm  | Tolerance: +0,2/-0,2                          |
| JB1  | 54 mm  |   |
| JB2  | 56 mm  |   |
| JL1  | 60 mm  |   |
| JL2  | 70 mm  | Tolerance: +0,2/-0,2                          |
| t1   | 7 mm   |   |
|  |  |   |
| mw   | 400 g  | non-locating bearing carriage, clearance-free |
| The basic load ratings are not valid for "-RB" designs.      |  |   |
| Cz   | 9000 N   | Basic dynamic load rating in z direction      |
| C0z  | 8000 N   | Basic static load rating in z direction       |
| M0y  | 250 Nm   | Static moment rating about Y axis             |
| Ordering designation:<br>- Guideways without holes: LFS..-OL |  |   |
| LFR22/8-6-2RSR-RNA<br>+ IR.LFLL32                            | Track roller used<br>For shaft diameter: 6 mm<br>For ordering of replacement parts, please contact us. |   |
| LFS32  | The calculation of basic load ratings and moment ratings is based on the use of this guideway          |   |
| Corrosion-resistant designs available by agreement.          |  |   |



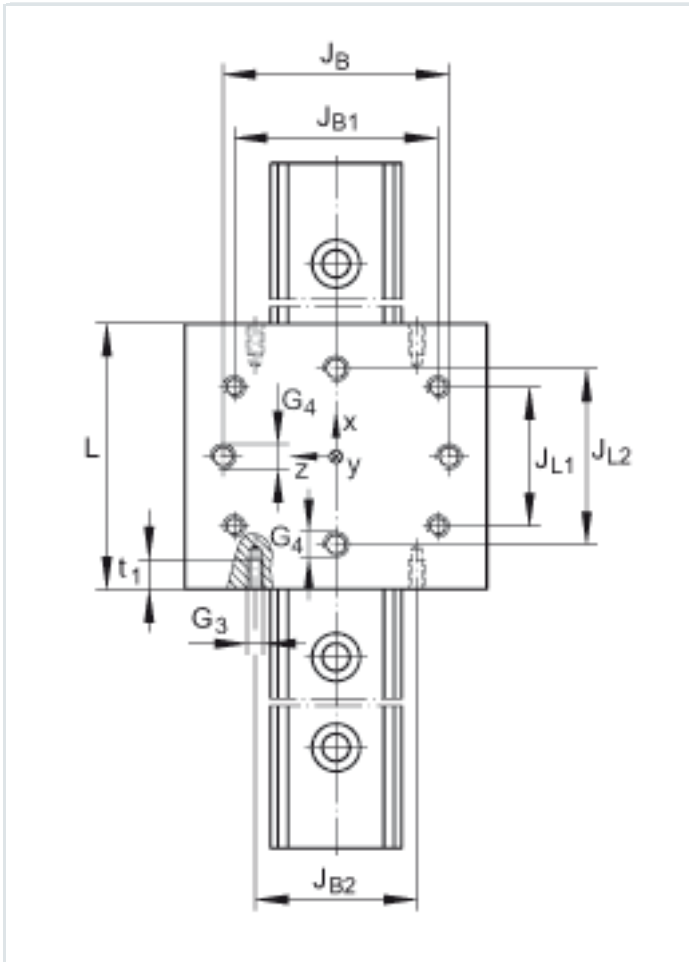
LFL with LFS, -C, -CE, -CEE, -E, -EE, -N, -NZZ



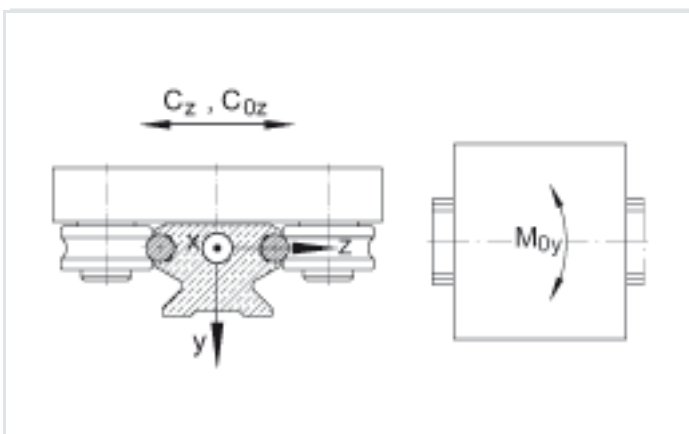
LFL with LFS..-M



LFL with LFS..-F, -FE



LFL with LFS, -C, -CE, -CEE, -E, -EE, -N, -NZZ, -M, -F, -FE



Load directions