

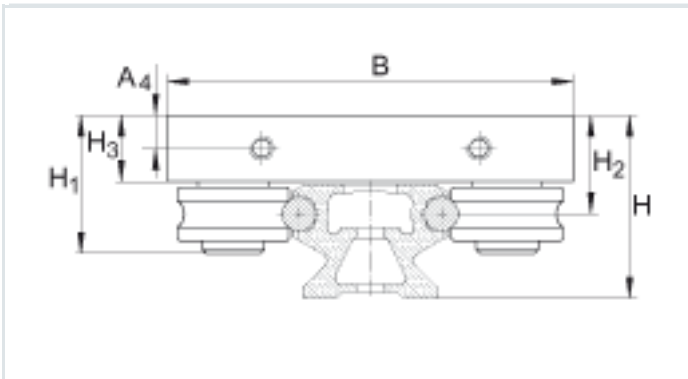
Carriage LFLL52-SF (Series LFLL..-SF)

non-locating bearing carriage, clearance-free

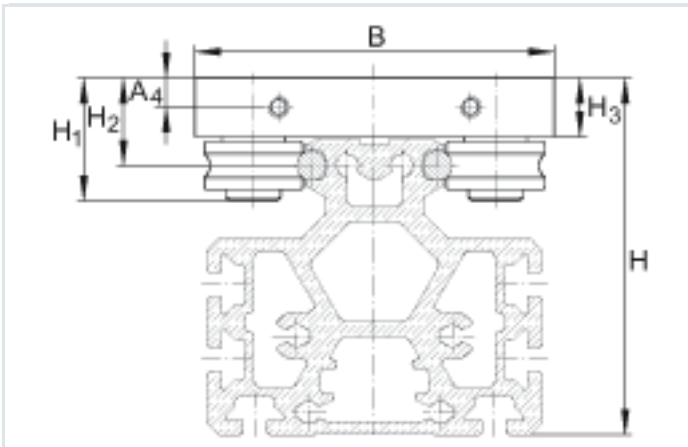
The datasheet is only an overview of dimensions and basic load ratings of the selected product. Please always observe all the guidelines in these overview pages. Further information is given on many products under the menu item "Description". You can also order comprehensive information via the Catalogue ordering system (https://www.schaeffler.de/content.schaeffler.de/en/news_media/index.jsp) or by telephone on +49 (91 32) 82 - 28 97.

H1	45 mm
B	120 mm
L	100 mm
A4	9,75 mm
G3	M6
G4	M10
H	<p>Total height of carriage and guideway (axial displacement capacity: +1/-1):</p> <p>H = 54,3 mm For LFS, -C, -CE, -CEE, -E, -EE, -N, -NZZ</p> <p>H = 38,2 mm For LFS..-F, -FE</p> <p>H = 118,9 mm For LFS..-M</p> <p>The guideway LFS..-M can only be combined with carriages with adjustable clearance.</p> <p>If SF and LFCL carriages are to be used, please contact us first</p>
H2	29,2 mm Axial displacement capacity: +1/-1

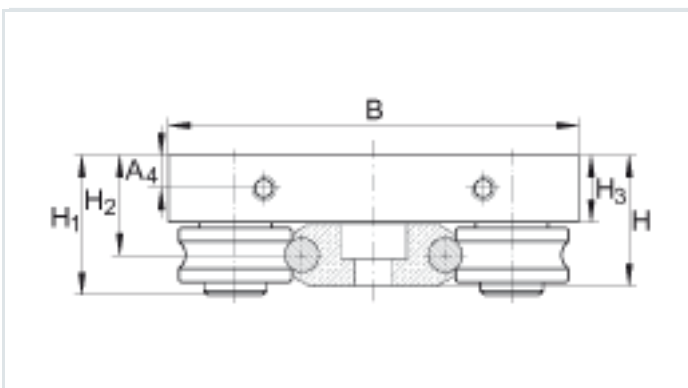
H3	19,5 mm	
JB	90 mm	Tolerance: +0,2/-0,2
JB1	83 mm	
JB2	65 mm	
JL1	60 mm	
JL2	70 mm	Tolerance: +0,2/-0,2
t1	12 mm	
mw	1000 g	non-locating bearing carriage, clearance-free
The basic load ratings are not valid for "-RB" designs.		
Cz	17000 N	Basic dynamic load rating in z direction
C0z	19000 N	Basic static load rating in z direction
M0y	550 Nm	Static moment rating about Y axis
Ordering designation: - Guideways without holes: LFS..-OL		
LFR2202-10-2RSR-RNA + IR.LFLL52	Track roller used For shaft diameter: 10 mm For ordering of replacement parts, please contact us.	
LFS52	The calculation of basic load ratings and moment ratings is based on the use of this guideway	
Corrosion-resistant designs available by agreement.		



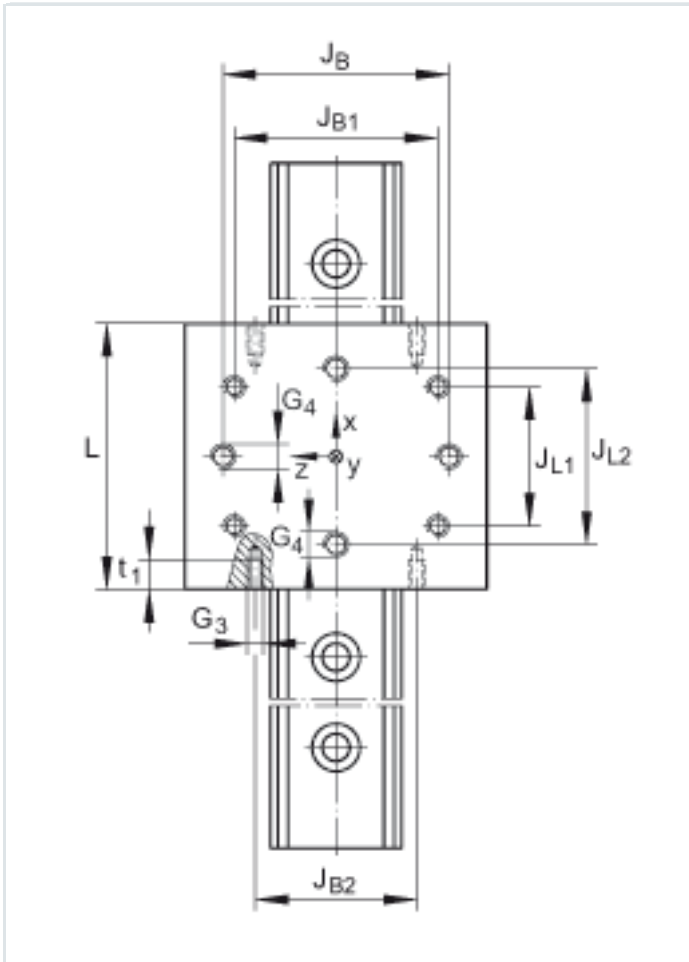
LFL with LFS, -C, -CE, -CEE, -E, -EE, -N, -NZZ



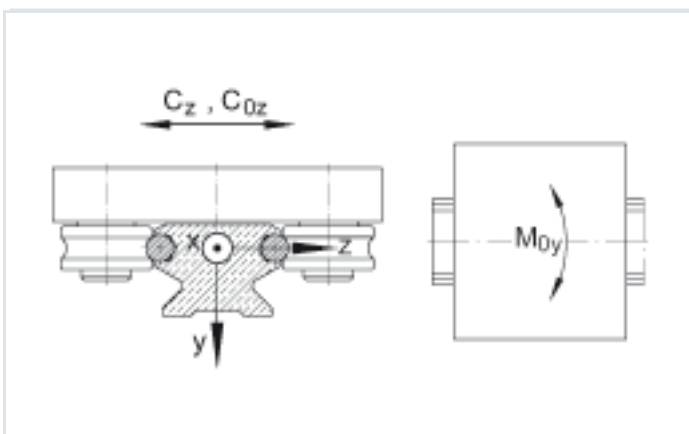
LFL with LFS..M



LFL with LFS..F, -FE



LFL with LFS, -C, -CE, -CEE, -E, -EE, -N, -NZZ, -M, -F, -FE



Load directions