

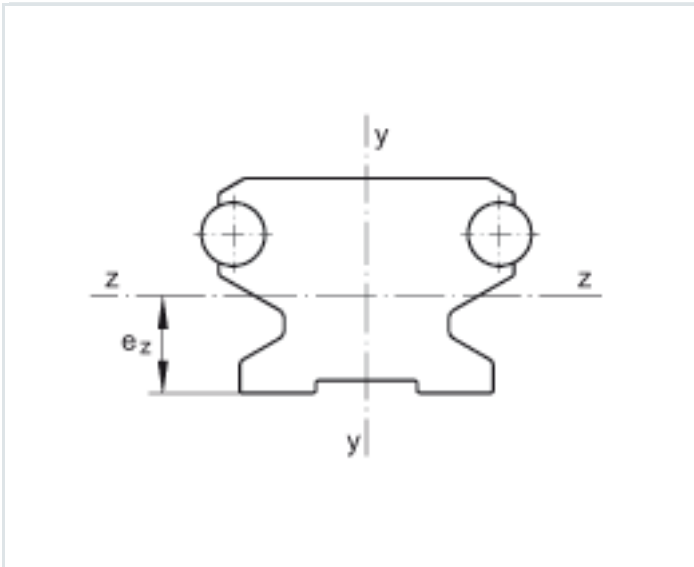
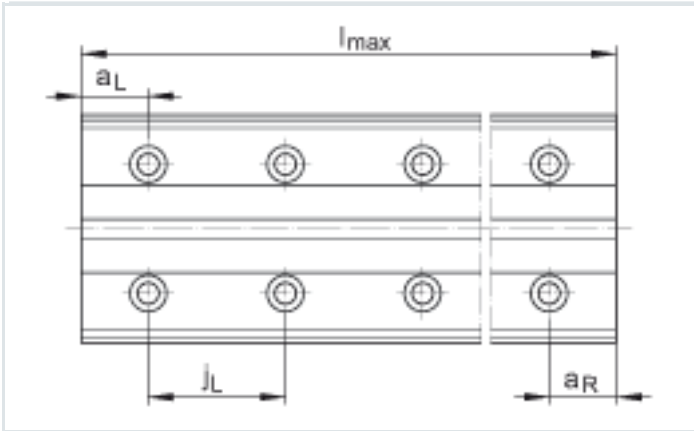
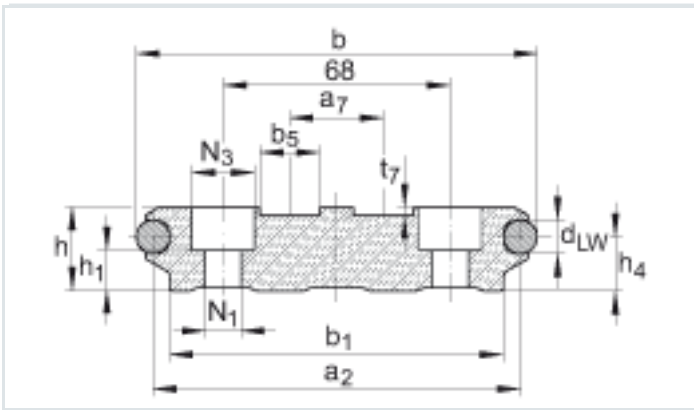
Guideways LFS120-E (Series LFS..-E)

solid profile, with two raceway shafts; corrosion-resistant design possible

The datasheet is only an overview of dimensions and basic load ratings of the selected product. Please always observe all the guidelines in these overview pages. Further information is given on many products under the menu item "Description". You can also order comprehensive information via the Catalogue ordering system (https://www.schaeffler.de/content.schaeffler.de/en/news_media/index.jsp) or by telephone on +49 (91 32) 82 - 28 97.

h	25 mm	
b	120 mm	
l _{max}	8000 mm	Maximum length L of guideway; longer guideways are supplied in several sections and are marked accordingly.
1)	Underside marked	
a ₂	110 mm	
a _{L max}	110 mm	a _L and a _R are dependent on the guideway length L
a _{L min}	17 mm	a _L and a _R are dependent on the guideway length L
a _{R max}	110 mm	a _L and a _R are dependent on the guideway length L
a _{R min}	17 mm	a _L and a _R are dependent on the guideway length L
b ₁	100 mm	
d _{LW}	10 mm	
e _z	12,5 mm	

h ₁	12 mm	
h ₄	16,1 mm	
j _B	68 mm	
j _L	125 mm	
LF _Q	2468 mm ²	Value for cross-sectional area
I _y	2330980 mm ⁴	
I _z	9365 mm ⁴	
N ₁	11 mm	
N ₃	19 mm	For a maximum load F _z or F _{oz} , support washers to DIN 433 and the maximum tightening torque (see fitting instructions) must be used.
W _y	40751 mm ³	
W _z	117074 mm ³	
ms	7900 g/m	Mass of guideway
		Ordering designation: - Guideways without holes: LFS..-OL - Guideways in design with corrosion protection: LFS..-RB
		Modulus of elasticity for LFS..-C, -CE, -CEE, -E, -EE, -F, -FE: 72000 N/mm ²
		Hole patterns Z and ZZ are available by agreement



Bending axes

