

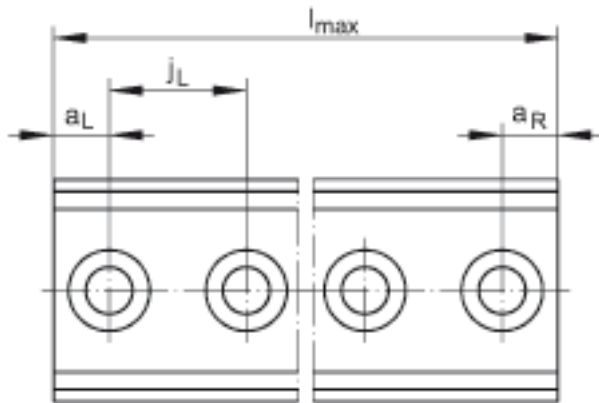
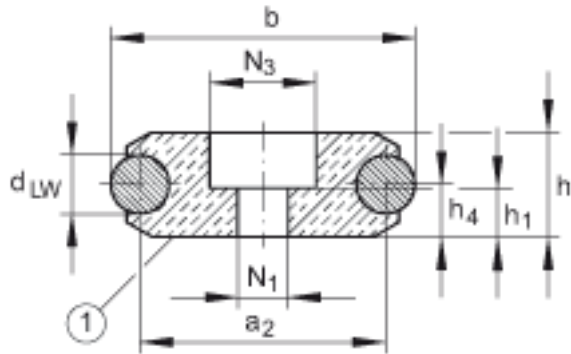
Guideways LFS52-FE (Series LFS..-FE)

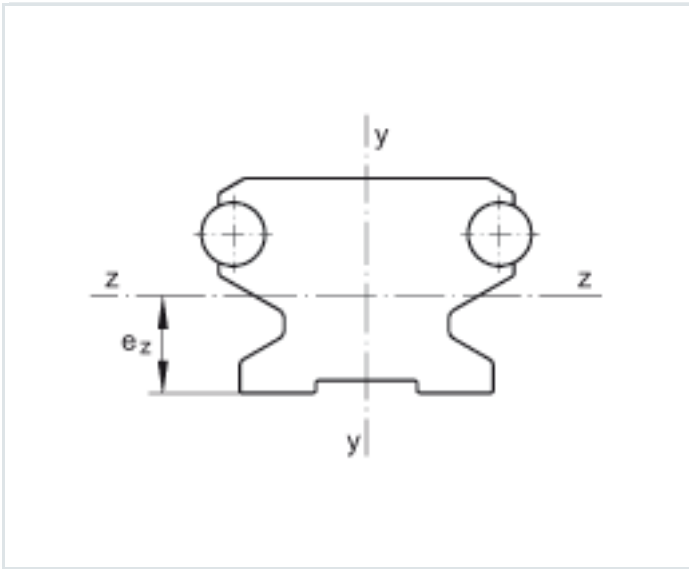
flat solid profile, fixing hole spacing half of standard, with two raceway shafts; corrosion-resistant design possible

The datasheet is only an overview of dimensions and basic load ratings of the selected product. Please always observe all the guidelines in these overview pages. Further information is given on many products under the menu item "Description". You can also order comprehensive information via the Catalogue ordering system (https://www.schaeffler.de/content.schaeffler.de/en/news_media/index.jsp) or by telephone on +49 (91 32) 82 - 28 97.

h	18 mm	
b	52 mm	
l _{max}	6000 mm	Maximum length L of guideway; longer guideways are supplied in several sections and are marked accordingly.
1)	Underside marked	
a ₂	42 mm	
a _{L max}	110 mm	a _L and a _R are dependent on the guideway length L
a _{L min}	17 mm	a _L and a _R are dependent on the guideway length L
a _{R max}	110 mm	a _L and a _R are dependent on the guideway length L
a _{R min}	17 mm	a _L and a _R are dependent on the guideway length L
d _{LW}	10 mm	
e _z	9 mm	
h ₁	8 mm	Counterbore depth for screws to DIN 7984.

h4	9 mm	
jL	125 mm	
LFQ	670 mm ²	Value for cross-sectional area
ly	84000 mm ⁴	
lz	19900 mm ⁴	
N1	11 mm	
N3	19 mm	For a maximum load Fz or Foz, support washers to DIN 433 and the maximum tightening torque (see fitting instructions) must be used.
Wy	3610 mm ³	
Wz	2211 mm ³	
ms	3000 g/m	Mass of guideway
		Ordering designation: - Guideways in design with corrosion protection: LFS..-RB
		Modulus of elasticity for LFS..-C, -CE, -CEE, -E, -EE, -F, -FE: 72000 N/mm ²





Bending axes