

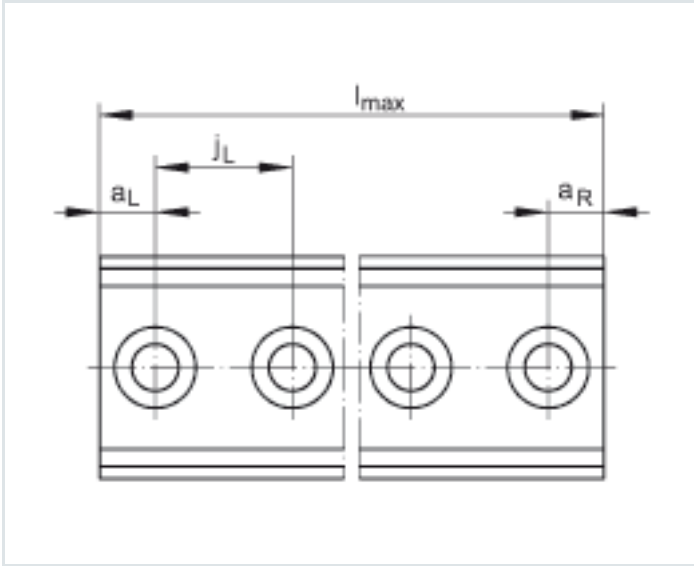
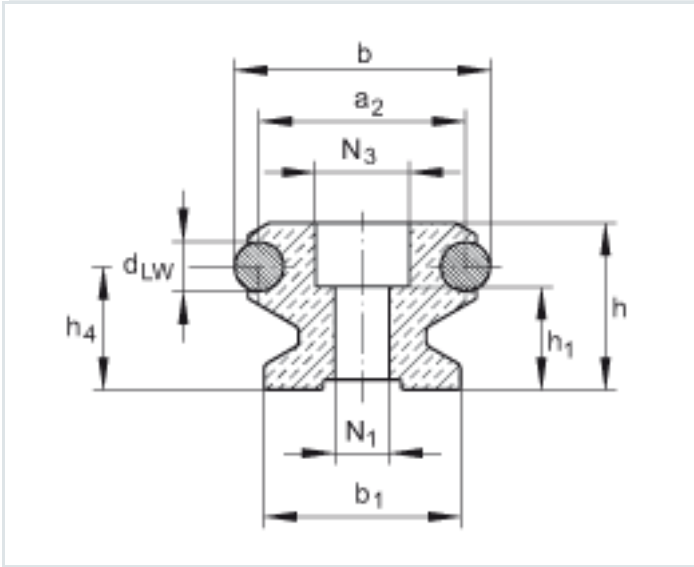
Guideways LFS32-E (Series LFS..-E)

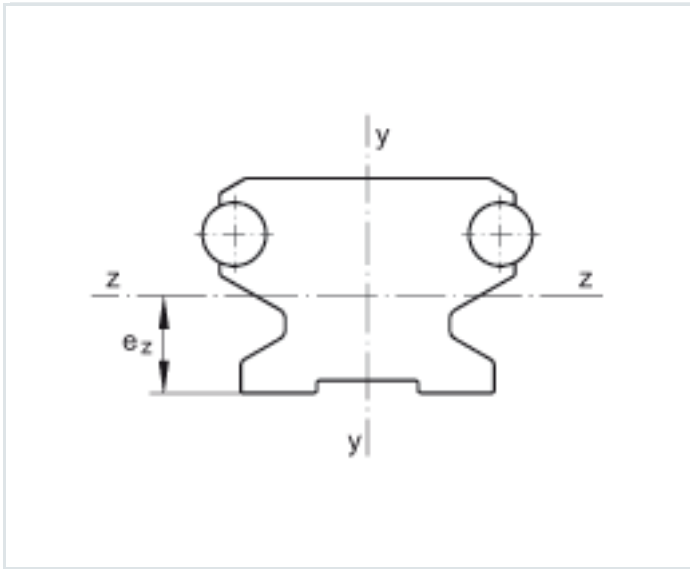
solid profile, with two raceway shafts; corrosion-resistant design possible

The datasheet is only an overview of dimensions and basic load ratings of the selected product. Please always observe all the guidelines in these overview pages. Further information is given on many products under the menu item "Description". You can also order comprehensive information via the Catalogue ordering system (https://www.schaeffler.de/content.schaeffler.de/en/news_media/index.jsp) or by telephone on +49 (91 32) 82 - 28 97.

h	20 mm	
b	32 mm	
l _{max}	6000 mm	Maximum length L of guideway; longer guideways are supplied in several sections and are marked accordingly.
1)	Underside marked	
a ₂	26 mm	
a _{L max}	52 mm	a _L and a _R are dependent on the guideway length L
a _{L min}	11 mm	a _L and a _R are dependent on the guideway length L
a _{R max}	52 mm	a _L and a _R are dependent on the guideway length L
a _{R min}	11 mm	a _L and a _R are dependent on the guideway length L
b ₁	24 mm	
d _{LW}	6 mm	
e _z	10,4 mm	

h ₁	12 mm	
h ₄	15 mm	
j _L	62,5 mm	
LF _Q	440 mm ²	Value for cross-sectional area
I _y	20100 mm ⁴	
I _z	14100 mm ⁴	
N ₁	6,5 mm	
N ₃	12 mm	For a maximum load F _z or F _{oz} , support washers to DIN 433 and the maximum tightening torque (see fitting instructions) must be used.
W _y	1440 mm ³	
W _z	1360 mm ³	
ms	1600 g/m	Mass of guideway
		Ordering designation: - Guideways in design with corrosion protection: LFS..-RB
		Modulus of elasticity for LFS..-C, -CE, -CEE, -E, -EE, -F, -FE: 72000 N/mm ²





Bending axes