

Linear recirculating ball bearing units

KUVS13-B (Series KUVS)

linear recirculating ball bearing units for guideway with raceways on both sides

The datasheet is only an overview of dimensions and basic load ratings of the selected product. Please always observe all the guidelines in these overview pages. Further information is given on many products under the menu item "Description". You can also order comprehensive information via the Catalogue ordering system (https://www.schaeffler.de/content.schaeffler.de/en/news_media/index.jsp) or by telephone on +49 (91 32) 82 - 28 97.

H	19 mm	
B	75 mm	
L	71 mm	
1)	Locating face	
2)	Marking	
A ₁	16,5 mm	
A ₂	10 mm	
A ₃	7,3 mm	
a ₅	9 mm	
a _{L max}	53 mm	a _L and a _R are dependent on the guideway length.
a _{L min}	20 mm	a _L and a _R are dependent on the guideway length.

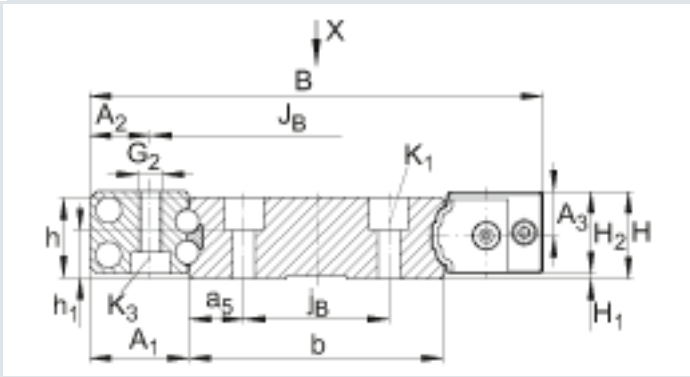
aR max	53 mm	aL and aR are dependent on the guideway length.
aR min	20 mm	aL and aR are dependent on the guideway length.
b	42 mm	
d1	3,8 mm	
d2	3,3 mm	
G2	M4	<p>for screws to DIN ISO 4762-12.9</p> <p>Max. tightening torque [MA]:</p> <p>M3 = 1,5 Nm</p> <p>M4 = 3 Nm</p> <p>M6 = 10 Nm</p> <p>The stated torques represent maximum values for the reliable transmission of forces in vibration-free, quasistatic applications (S0=1). We recommend that the tightening torques of the screw connection to the adjacent construction should be determined at the customer under the specific application conditions and operating conditions, observing the data in VDI Guideline 2230 Part 1 (2015) and the data in the description.</p>
h	18 mm	
H1	5,5 mm	
h1	11,4 mm	
H2	13,5 mm	
JB	55 mm	
jB	24 mm	
JL	20 mm	
jL	60 mm	

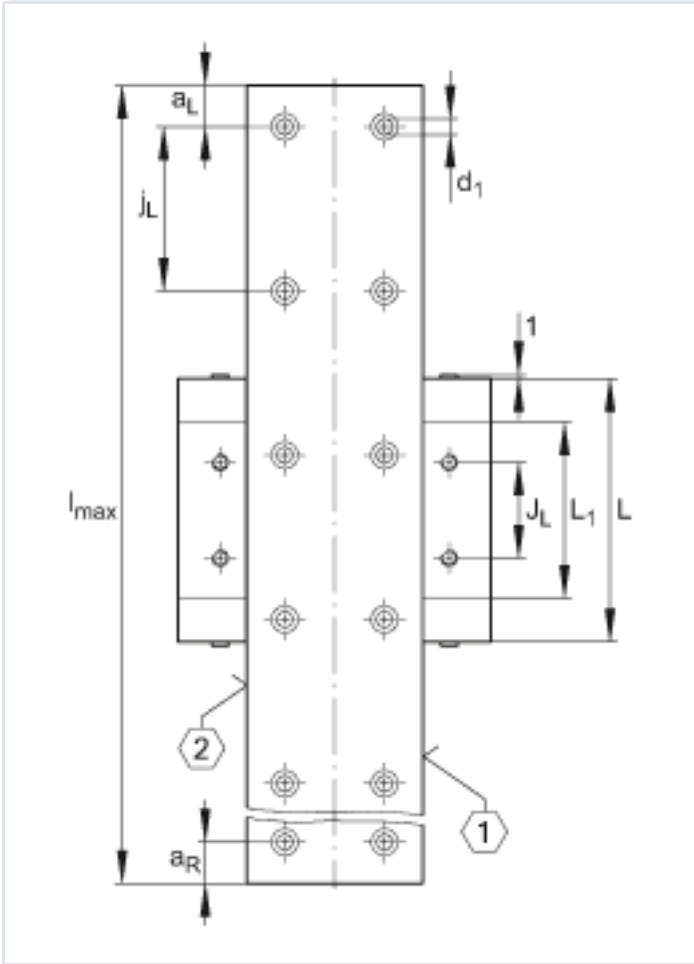
K1	M3	<p>for screws to DIN ISO 4762-12.9</p> <p>Max. tightening torque [MA]:</p> <p>M3 = 2,5 Nm</p> <p>M4 = 3 Nm</p> <p>M5 = 10 Nm</p> <p>The stated torques represent maximum values for the reliable transmission of forces in vibration-free, quasistatic applications (S0=1). We recommend that the tightening torques of the screw connection to the adjacent construction should be determined at the customer under the specific application conditions and operating conditions, observing the data in VDI Guideline 2230 Part 1 (2015) and the data in the description.</p>
K3	M3	<p>for screws to DIN ISO 4762-12.9</p> <p>Max. tightening torque [MA]:</p> <p>M3 = 2,5 Nm</p> <p>M4 = 3 Nm</p> <p>M5 = 10 Nm</p> <p>The stated torques represent maximum values for the reliable transmission of forces in vibration-free, quasistatic applications (S0=1). We recommend that the tightening torques of the screw connection to the adjacent construction should be determined at the customer under the specific application conditions and operating conditions, observing the data in VDI Guideline 2230 Part 1 (2015) and the data in the description.</p>
L1	48,5 mm	
l _{max}	2940 mm	Maximum length of single-piece guideways. Permissible guideway segments, see Technical principles
m _k	0,085 kg	Mass of linear recirculating ball bearing unit
m _s	5,64 kg/m	Mass of guideway
		In relation to two ball bearing units for TKVD32, TKVD42 and TKVD69, to one ball bearing unit for TKVD14.

The usable load carrying capacity is influenced by the connections between the guidance elements and the adjacent construction.

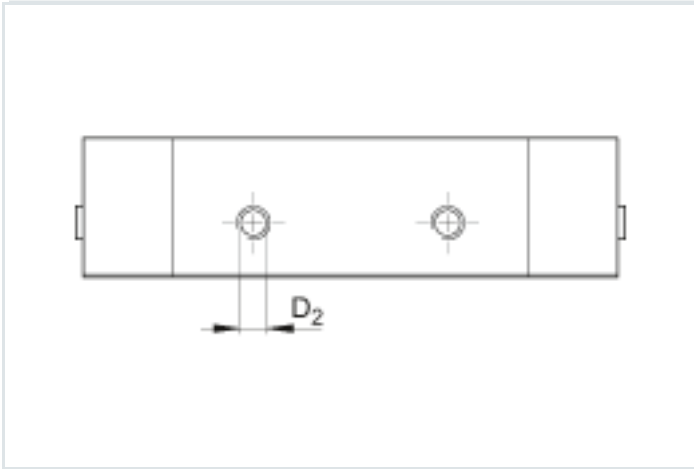
The full load rating can only be supported if the full thread length is used and the adjacent construction is correspondingly dimensioned.

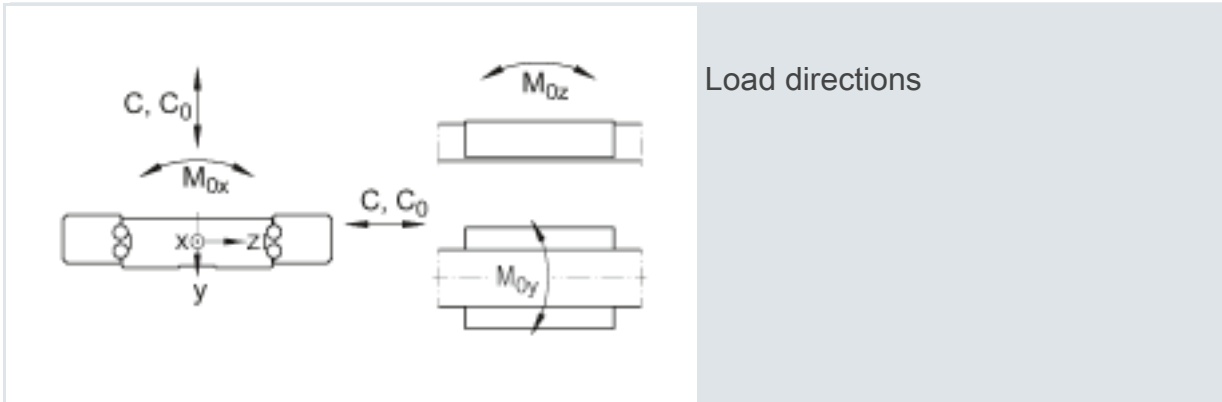
C	13500 N	Basic dynamic load rating
C ₀	26000 N	Basic static load rating
M _{0x}	648 Nm	Static moment rating about X axis
M _{0y}	211 Nm	Static moment rating about Y axis
M _{0z}	211 Nm	Static moment rating about Z axis





View X rotated through 90°





Load directions