

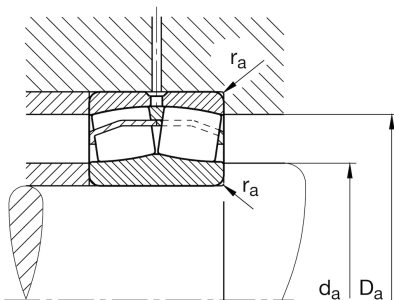
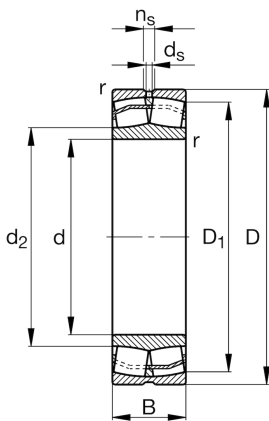
★ 22206-E1-XL

Spherical roller bearing

Schaeffler ID:
0167033080000Spherical roller bearings 222...-E1, main
dimensions to DIN 635-2

★ Preferred product

Technical information



Temperature range

T_{\min}	-30 °C	Operating temperature min.
T_{\max}	200 °C	Operating temperature max.
	0,277 kg	Weight

Main Dimensions & Performance Data

d	30 mm	Bore diameter
D	62 mm	Outside diameter
B	20 mm	Width
C_r	64.000 N	Basic dynamic load rating, radial
C_{0r}	57.000 N	Basic static load rating, radial
C_{ur}	7.000 N	Fatigue load limit, radial
n_G	12.500 1/min	Limiting speed
n_{gr}	7.800 1/min	Reference speed

Dimensions

r_{\min}	1 mm	Minimum chamfer dimension
D_1	53,7 mm	Bore diameter outer ring
d_2	38,1 mm	Raceway diameter of the inner ring
d_s	3,2 mm	Diameter lubrication hole
n_s	4,8 mm	Width of lubricating groove

Mounting dimensions

$d_{a\min}$	35,6 mm	Minimum diameter shaft shoulder
$D_{a\max}$	56,4 mm	Maximum diameter of housing shoulder
$r_{a\max}$	1 mm	Maximum recess radius

Additional information

e	0,3	Limiting value of Fa/Fr for the applicability of diff. Values of factors X and Y
Y ₁	2,26	Dynamic axial load factor
Y ₂	3,37	Dynamic axial load factor
Y ₀	2,21	Static axial load factor