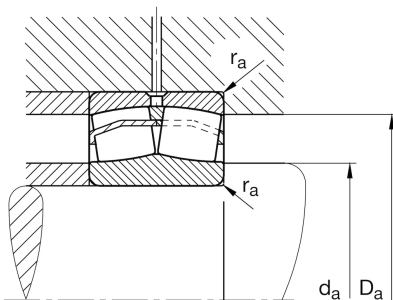
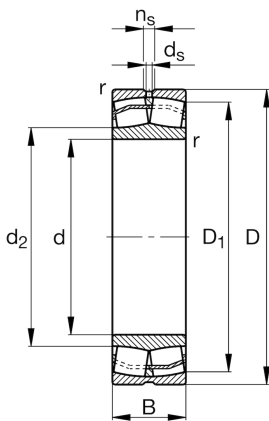
★ **22210-E1-XL**

Spherical roller bearing

Schaeffler ID:
0167035290000Spherical roller bearings 222...-E1, main
dimensions to DIN 635-2

★ Preferred product

Technical information

**Temperature range**

T_{\min}	-30 °C	Operating temperature min.
T_{\max}	200 °C	Operating temperature max.
	0,585 kg	Weight

Main Dimensions & Performance Data

d	50 mm	Bore diameter
D	90 mm	Outside diameter
B	23 mm	Width
C_r	109.000 N	Basic dynamic load rating, radial
C_{0r}	107.000 N	Basic static load rating, radial
C_{ur}	14.600 N	Fatigue load limit, radial
n_G	9.800 1/min	Limiting speed
n_{gr}	5.100 1/min	Reference speed

Dimensions

r_{\min}	1,1 mm	Minimum chamfer dimension
D_1	80,8 mm	Bore diameter outer ring
d_2	59,9 mm	Raceway diameter of the inner ring
d_s	3,2 mm	Diameter lubrication hole
n_s	4,8 mm	Width of lubricating groove

Mounting dimensions

$d_{a\min}$	57 mm	Minimum diameter shaft shoulder
$D_{a\max}$	83 mm	Maximum diameter of housing shoulder
$r_{a\max}$	1 mm	Maximum recess radius

Additional information

e	0,23	Limiting value of Fa/Fr for the applicability of diff. Values of factors X and Y
Y ₁	2,95	Dynamic axial load factor
Y ₂	4,4	Dynamic axial load factor
Y ₀	2,89	Static axial load factor