

FAG

## ★ 22211-E1-XL

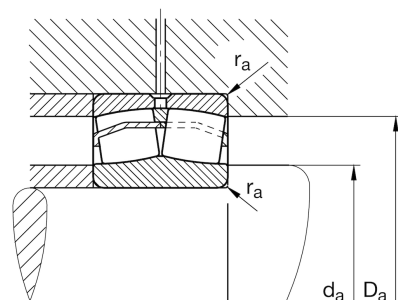
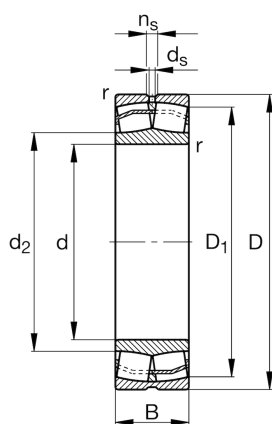
Spherical roller bearing

Schaeffler ID:  
0167036180000Spherical roller bearings 222...-E1, main  
dimensions to DIN 635-2

★ Preferred product

X-life

## Technical information



## Temperature range

$T_{\min}$	-30 °C	Operating temperature min.
$T_{\max}$	200 °C	Operating temperature max.
	0,519 kg	Weight

## Main Dimensions &amp; Performance Data

d	55 mm	Bore diameter
D	100 mm	Outside diameter
B	25 mm	Width
$C_r$	129.000 N	Basic dynamic load rating, radial
$C_{0r}$	130.000 N	Basic static load rating, radial
$C_{ur}$	17.700 N	Fatigue load limit, radial
$n_G$	9.000 1/min	Limiting speed
$n_{gr}$	4.650 1/min	Reference speed

## Dimensions

$r_{\min}$	1,5 mm	Minimum chamfer dimension
$D_1$	89,8 mm	Bore diameter outer ring
$d_2$	67,6 mm	Raceway diameter of the inner ring
$d_s$	3,2 mm	Diameter lubrication hole
$n_s$	4,8 mm	Width of lubricating groove

## Mounting dimensions

$d_{a \min}$	64 mm	Minimum diameter shaft shoulder
$D_{a \max}$	91 mm	Maximum diameter of housing shoulder
$r_{a \max}$	1,5 mm	Maximum recess radius

**Additional information**

e	0,21	Limiting value of Fa/Fr for the applicability of diff. Values of factors X and Y
Y <sub>1</sub>	3,17	Dynamic axial load factor
Y <sub>2</sub>	4,72	Dynamic axial load factor
Y <sub>0</sub>	3,1	Static axial load factor