

FAG

## ★ 22308-E1-XL

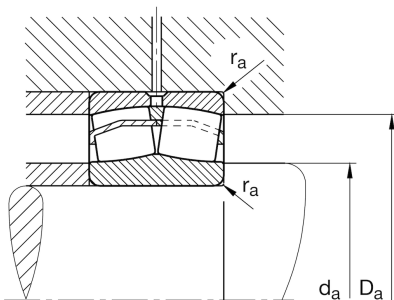
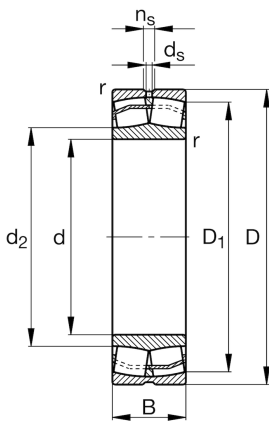
Spherical roller bearing

Schaeffler ID:  
0167049910000Spherical roller bearings 223...-E1, main  
dimensions to DIN 635-2

★ Preferred product

X-life

## Technical information



## Temperature range

$T_{\min}$	-30 °C	Operating temperature min.
$T_{\max}$	200 °C	Operating temperature max.
	1,018 kg	Weight

## Main Dimensions &amp; Performance Data

d	40 mm	Bore diameter
D	90 mm	Outside diameter
B	33 mm	Width
$C_r$	156.000 N	Basic dynamic load rating, radial
$C_{0r}$	149.000 N	Basic static load rating, radial
$C_{ur}$	13.500 N	Fatigue load limit, radial
$n_G$	7.600 1/min	Limiting speed
$n_{gr}$	5.500 1/min	Reference speed

## Dimensions

$r_{\min}$	1,5 mm	Minimum chamfer dimension
$D_1$	76 mm	Bore diameter outer ring
$d_2$	52,4 mm	Raceway diameter of the inner ring
$d_s$	3,2 mm	Diameter lubrication hole
$n_s$	6,5 mm	Width of lubricating groove

## Mounting dimensions

$d_{a\min}$	49 mm	Minimum diameter shaft shoulder
$D_{a\max}$	81 mm	Maximum diameter of housing shoulder
$r_{a\max}$	1,5 mm	Maximum recess radius

**Additional information**

e	0,36	Limiting value of Fa/Fr for the applicability of diff. Values of factors X and Y
Y <sub>1</sub>	1,86	Dynamic axial load factor
Y <sub>2</sub>	2,77	Dynamic axial load factor
Y <sub>0</sub>	1,82	Static axial load factor