

FAG

★ 23024-E1-XL-TVPB

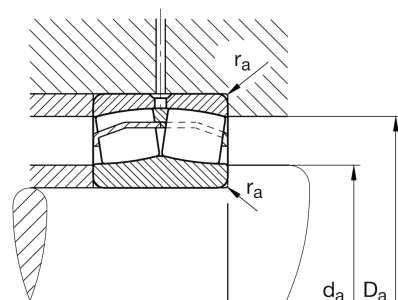
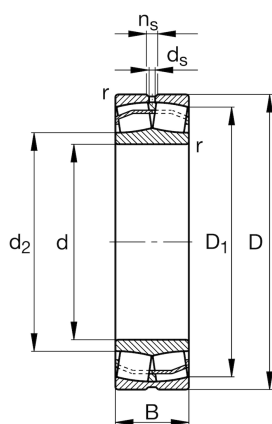
Spherical roller bearing

Schaeffler ID:
0167063740000Spherical roller bearings 230...-E1, main
dimensions to DIN 635-2

★ Preferred product

X-life

Technical information



Temperature range

T_{min}	-30 °C	Operating temperature min.
T_{max}	120 °C	Operating temperature max.
	3,827 kg	Weight

Main Dimensions & Performance Data

d	120 mm	Bore diameter
D	180 mm	Outside diameter
B	46 mm	Width
C_r	430.000 N	Basic dynamic load rating, radial
C_{0r}	580.000 N	Basic static load rating, radial
C_{ur}	60.000 N	Fatigue load limit, radial
n_G	3.950 1/min	Limiting speed
n_{gr}	2.800 1/min	Reference speed

Dimensions

r_{min}	2 mm	Minimum chamfer dimension
D_1	164,7 mm	Bore diameter outer ring
d_2	133 mm	Raceway diameter of the inner ring
d_s	3,2 mm	Diameter lubrication hole
n_s	6,5 mm	Width of lubricating groove

Mounting dimensions

$d_{a min}$	128,8 mm	Minimum diameter shaft shoulder
$D_{a max}$	171,2 mm	Maximum diameter of housing shoulder
$r_{a max}$	2 mm	Maximum recess radius

Additional information

e	0,22	Limiting value of Fa/Fr for the applicability of diff. Values of factors X and Y
Y ₁	3,04	Dynamic axial load factor
Y ₂	4,53	Dynamic axial load factor
Y ₀	2,97	Static axial load factor