



FAG

★ N307-E-XL-TVP2

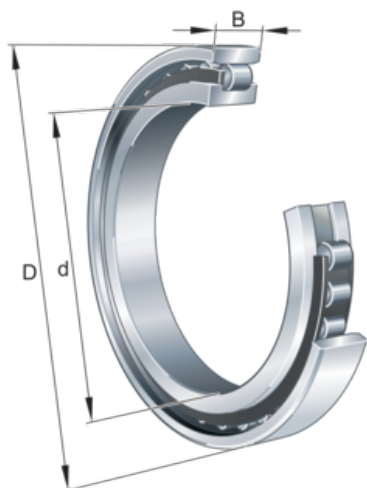
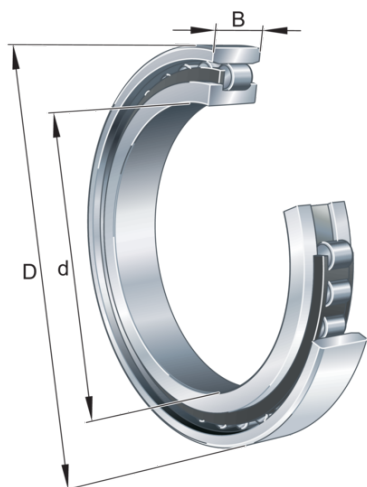
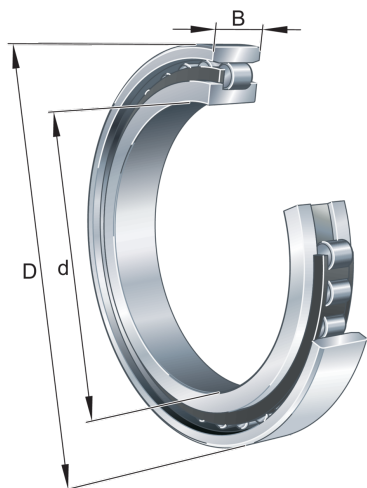
Cylindrical roller bearing

Schaeffler ID:
0167339320000

★ Preferred product

Cylindrical roller bearing N3..-E-TVP2, with cage, single row, non-locating bearing, 0 ribs on outer ring, 2 rib on inner ring, type N3

Technical information



Temperature range

T_{min}	-30 °C	Operating temperature min.
T_{max}	120 °C	Operating temperature max.
	0,005 kg	Weight

Main Dimensions & Performance Data

d	35 mm	Bore diameter
D	80 mm	Outside diameter
B	21 mm	Width
C_r	76.000 N	Basic dynamic load rating, radial
C_{0r}	63.000 N	Basic static load rating, radial
C_{ur}	10.800 N	Fatigue load limit, radial
$n_{G Grease}$	9.300 1/min	Limiting speed for grease lubrication
$n_{G Oil}$	10.900 1/min	Limiting speed for oil lubrication

Dimensions

$r_{1 min}$	1,1 mm	Minimum chamfer dimension
s_1	0,6 mm	Axial displacement
E	70,2 mm	Raceway diameter outer ring

Mounting dimensions

$d_{a min}$	42 mm	Minimum diameter shaft shoulder
$D_{a max}$	71 mm	Maximum diameter of housing shoulder
$r_{a1 max}$	1,5 mm	Maximum recess radius

