

FAG

## ★ 23028-E1A-XL-M

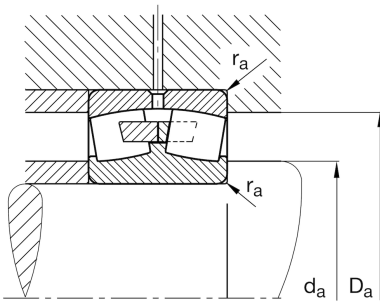
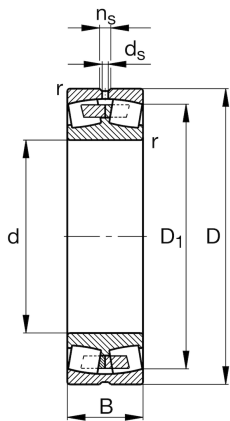
Spherical roller bearing

Schaeffler ID:  
0190010530000Spherical roller bearings 230...-E1A, main  
dimensions to DIN 635-2

★ Preferred product

X-life

## Technical information



## Temperature range

$T_{\min}$	-30 °C	Operating temperature min.
$T_{\max}$	200 °C	Operating temperature max.
	6,281 kg	Weight

## Main Dimensions &amp; Performance Data

d	140 mm	Bore diameter
D	210 mm	Outside diameter
B	53 mm	Width
$C_r$	570.000 N	Basic dynamic load rating, radial
$C_{0r}$	800.000 N	Basic static load rating, radial
$C_{ur}$	77.000 N	Fatigue load limit, radial
$n_G$	3.450 1/min	Limiting speed
$n_{gr}$	2.390 1/min	Reference speed

## Dimensions

$r_{\min}$	2 mm	Minimum chamfer dimension
$D_1$	192,3 mm	Bore diameter outer ring
$d_s$	4,8 mm	Diameter lubrication hole
$n_s$	9,5 mm	Width of lubricating groove

## Mounting dimensions

$d_{a \min}$	148,8 mm	Minimum diameter shaft shoulder
$D_{a \max}$	201,2 mm	Maximum diameter of housing shoulder
$r_{a \max}$	2 mm	Maximum recess radius

**Additional information**

e	0,22	Limiting value of Fa/Fr for the applicability of diff. Values of factors X and Y
Y <sub>1</sub>	3,07	Dynamic axial load factor
Y <sub>2</sub>	4,57	Dynamic axial load factor
Y <sub>0</sub>	3	Static axial load factor