



FAG

## ★ 23030-E1A-XL-M

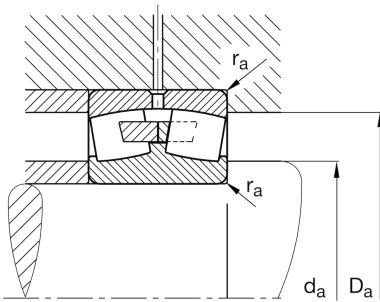
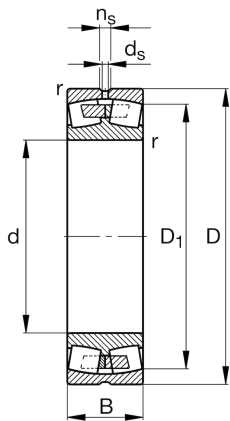
Spherical roller bearing

Schaeffler ID:  
0190010880000Spherical roller bearings 230...-E1A, main  
dimensions to DIN 635-2

★ Preferred product

X-life

## Technical information



## Temperature range

$T_{\min}$	-30 °C	Operating temperature min.
$T_{\max}$	200 °C	Operating temperature max.
	7,655 kg	Weight

## Main Dimensions &amp; Performance Data

d	150 mm	Bore diameter
D	225 mm	Outside diameter
B	56 mm	Width
$C_r$	630.000 N	Basic dynamic load rating, radial
$C_{0r}$	880.000 N	Basic static load rating, radial
$C_{ur}$	87.000 N	Fatigue load limit, radial
$n_G$	3.250 1/min	Limiting speed
$n_{gr}$	2.210 1/min	Reference speed

## Dimensions

$r_{\min}$	2,1 mm	Minimum chamfer dimension
$D_1$	206,3 mm	Bore diameter outer ring
$d_s$	4,8 mm	Diameter lubrication hole
$n_s$	9,5 mm	Width of lubricating groove

## Mounting dimensions

$d_{a\min}$	160,2 mm	Minimum diameter shaft shoulder
$D_{a\max}$	214,8 mm	Maximum diameter of housing shoulder
$r_{a\max}$	2,1 mm	Maximum recess radius

**Additional information**

e	0,22	Limiting value of Fa/Fr for the applicability of diff. Values of factors X and Y
Y <sub>1</sub>	3,1	Dynamic axial load factor
Y <sub>2</sub>	4,62	Dynamic axial load factor
Y <sub>0</sub>	3,03	Static axial load factor