

FAG

★ 23234-E1A-XL-M

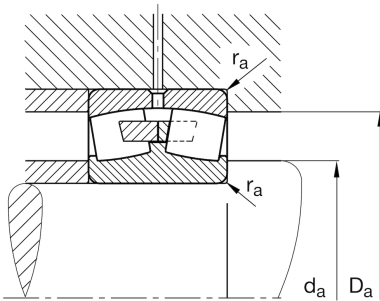
Spherical roller bearing

Schaeffler ID:
0190017110000Spherical roller bearings 232...-E1A, main
dimensions to DIN 635-2

★ Preferred product

X-life

Technical information



Temperature range

T_{\min}	-30 °C	Operating temperature min.
T_{\max}	200 °C	Operating temperature max.
	36,076 kg	Weight

Main Dimensions & Performance Data

d	170 mm	Bore diameter
D	310 mm	Outside diameter
B	110 mm	Width
C_r	1.640.000 N	Basic dynamic load rating, radial
C_{0r}	2.170.000 N	Basic static load rating, radial
C_{ur}	168.000 N	Fatigue load limit, radial
n_G	2.090 1/min	Limiting speed
n_{gr}	1.160 1/min	Reference speed

Dimensions

r_{\min}	4 mm	Minimum chamfer dimension
D_1	267,4 mm	Bore diameter outer ring
d_s	8 mm	Diameter lubrication hole
n_s	15 mm	Width of lubricating groove

Mounting dimensions

$d_{a \min}$	187 mm	Minimum diameter shaft shoulder
$D_{a \max}$	293 mm	Maximum diameter of housing shoulder
$r_{a \max}$	3 mm	Maximum recess radius

Additional information

e	0,33	Limiting value of Fa/Fr for the applicability of diff. Values of factors X and Y
Y ₁	2,03	Dynamic axial load factor
Y ₂	3,02	Dynamic axial load factor
Y ₀	1,98	Static axial load factor