

FAG

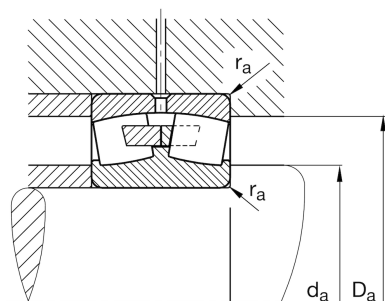
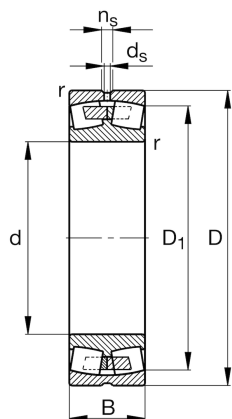
★ 23936-S-MB

Spherical roller bearing

Schaeffler ID:
0190017700000Spherical roller bearings 239, main
dimensions to DIN 635-2

★ Preferred product

Technical information



Temperature range

T_{\min}	-30 °C	Operating temperature min.
T_{\max}	200 °C	Operating temperature max.
	7,81 kg	Weight

Main Dimensions & Performance Data

d	180 mm	Bore diameter
D	250 mm	Outside diameter
B	52 mm	Width
C_r	445.000 N	Basic dynamic load rating, radial
C_{0r}	840.000 N	Basic static load rating, radial
C_{ur}	59.000 N	Fatigue load limit, radial
n_G	3.200 1/min	Limiting speed
n_{gr}	1.850 1/min	Reference speed

Dimensions

r_{\min}	2 mm	Minimum chamfer dimension
D_1	230,9 mm	Bore diameter outer ring
d_s	4,8 mm	Diameter lubrication hole
n_s	9,5 mm	Width of lubricating groove

Mounting dimensions

$d_{a\min}$	188,8 mm	Minimum diameter shaft shoulder
$D_{a\max}$	241,2 mm	Maximum diameter of housing shoulder
$r_{a\max}$	2 mm	Maximum recess radius

Additional information

e	0,2	Limiting value of F_a/F_r for the applicability of diff. Values of factors X and Y
Y_1	3,42	Dynamic axial load factor
Y_2	5,09	Dynamic axial load factor
Y_0	3,34	Static axial load factor