



FAG

★ 23122-E1A-XL-M

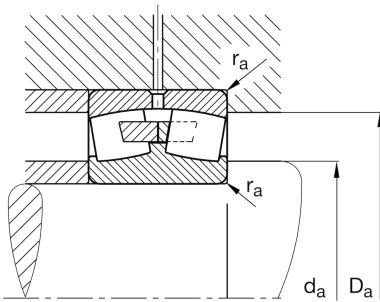
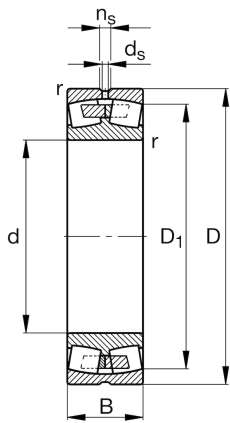
Spherical roller bearing

Schaeffler ID:
0190304600000Spherical roller bearings 231...-E1A, main
dimensions to DIN 635-2

★ Preferred product

X-life

Technical information



Temperature range

T_{\min}	-30 °C	Operating temperature min.
T_{\max}	200 °C	Operating temperature max.
	5,528 kg	Weight

Main Dimensions & Performance Data

d	110 mm	Bore diameter
D	180 mm	Outside diameter
B	56 mm	Width
C_r	530.000 N	Basic dynamic load rating, radial
C_{0r}	680.000 N	Basic static load rating, radial
C_{ur}	62.000 N	Fatigue load limit, radial
n_G	3.700 1/min	Limiting speed
n_{gr}	2.550 1/min	Reference speed

Dimensions

r_{\min}	2 mm	Minimum chamfer dimension
D_1	160 mm	Bore diameter outer ring
d_s	4,8 mm	Diameter lubrication hole
n_s	9,5 mm	Width of lubricating groove

Mounting dimensions

$d_{a\min}$	121 mm	Minimum diameter shaft shoulder
$D_{a\max}$	169 mm	Maximum diameter of housing shoulder
$r_{a\max}$	2 mm	Maximum recess radius

Additional information

e	0,28	Limiting value of Fa/Fr for the applicability of diff. Values of factors X and Y
Y ₁	2,41	Dynamic axial load factor
Y ₂	3,59	Dynamic axial load factor
Y ₀	2,35	Static axial load factor