



FAG

## ★ N219-E-XL-TVP2

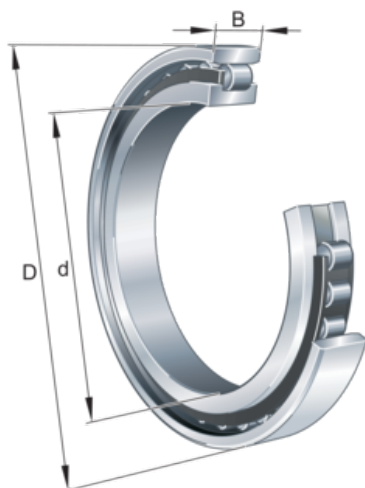
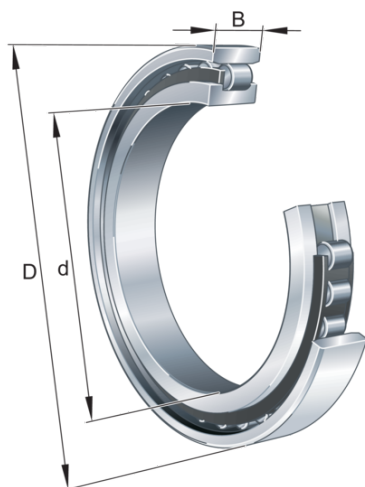
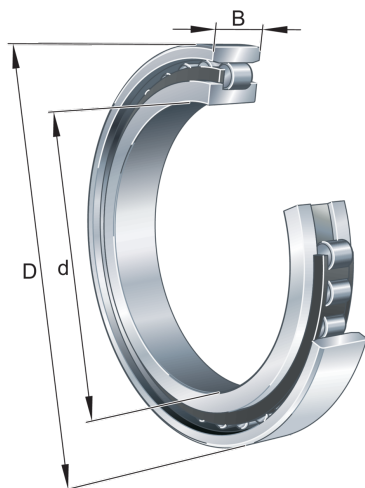
Cylindrical roller bearing

Schaeffler ID:  
0192175950000

★ Preferred product

Cylindrical roller bearing N2..-E-TVP, with cage, single row, non-locating bearing, 0 ribs on outer ring, 2 rib on inner ring, type N2

## Technical information



## Temperature range

$T_{\min}$	-30 °C	Operating temperature min.
$T_{\max}$	120 °C	Operating temperature max.
	2,81 kg	Weight

## Main Dimensions &amp; Performance Data

d	95 mm	Bore diameter
D	170 mm	Outside diameter
B	32 mm	Width
$C_r$	260.000 N	Basic dynamic load rating, radial
$C_{0r}$	265.000 N	Basic static load rating, radial
$C_{ur}$	45.000 N	Fatigue load limit, radial
$n_{G \text{ Grease}}$	4.100 1/min	Limiting speed for grease lubrication
$n_{G \text{ Oil}}$	4.850 1/min	Limiting speed for oil lubrication

## Dimensions

$r_{1 \min}$	2,1 mm	Minimum chamfer dimension
$s_1$	0,6 mm	Axial displacement
E	154,5 mm	Raceway diameter outer ring

## Mounting dimensions

$d_{a \min}$	107 mm	Minimum diameter shaft shoulder
$D_{a \max}$	158 mm	Maximum diameter of housing shoulder
$r_{a1 \max}$	2,1 mm	Maximum recess radius

