



FAG

## ★ 24122-BE-XL

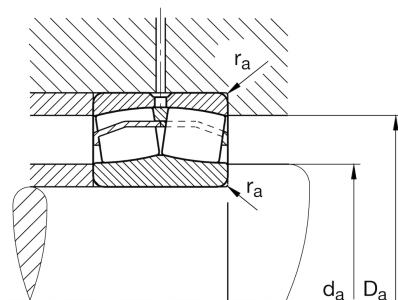
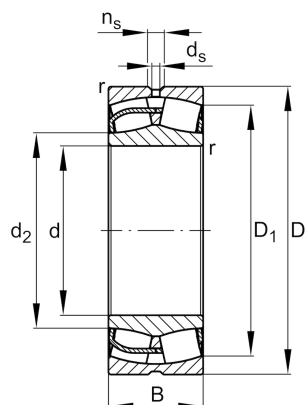
Spherical roller bearing

Schaeffler ID:  
0568030600000Spherical roller bearing 241..-BE-XL,  
symmetric with rib washer

★ Preferred product

X-life

## Technical information



## Temperature range

$T_{\min}$	-30 °C	Operating temperature min.
------------	--------	----------------------------

$T_{\max}$	200 °C	Operating temperature max.
------------	--------	----------------------------

	6,709 kg	Weight
--	----------	--------

## Main Dimensions &amp; Performance Data

d	110 mm	Bore diameter
D	180 mm	Outside diameter
B	69 mm	Width
$C_r$	530.000 N	Basic dynamic load rating, radial
$C_{0r}$	750.000 N	Basic static load rating, radial
$C_{ur}$	86.000 N	Fatigue load limit, radial
$n_G$	3.350 1/min	Limiting speed
$n_{gr}$	1.960 1/min	Reference speed

## Dimensions

$r_{\min}$	2 mm	Minimum chamfer dimension
$D_1$	154,9 mm	Bore diameter outer ring
$d_2$	125,6 mm	Raceway diameter of the inner ring
$d_s$	3,2 mm	Diameter lubrication hole
$n_s$	6,5 mm	Width of lubricating groove

## Mounting dimensions

$d_{a\min}$	121 mm	Minimum diameter shaft shoulder
$D_{a\max}$	169 mm	Maximum diameter of housing shoulder
$r_{a\max}$	2 mm	Maximum recess radius

**Additional information**

e	0,34	Limiting value of Fa/Fr for the applicability of diff. Values of factors X and Y
Y <sub>1</sub>	1,96	Dynamic axial load factor
Y <sub>2</sub>	2,92	Dynamic axial load factor
Y <sub>0</sub>	1,92	Static axial load factor