

FAG

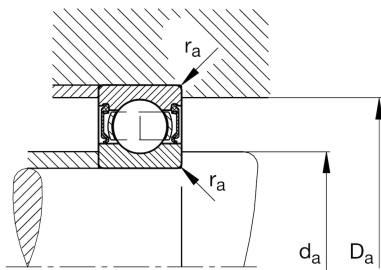
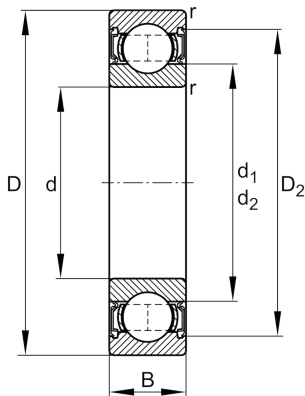
★ 61907-2RSR

Deep groove ball bearing

Schaeffler ID:
0096710210000Deep groove ball bearing 619...-2RSR,
single row, seals, steel sheet metal cage

★ Preferred product

Technical information



Temperature range

T_{\min}	-30 °C	Operating temperature min.
T_{\max}	110 °C	Operating temperature max.
	77 g	Weight

Main Dimensions & Performance Data

d	35 mm	Bore diameter
D	55 mm	Outside diameter
B	10 mm	Width
C_r	10.900 N	Basic dynamic load rating, radial
C_{0r}	7.750 N	Basic static load rating, radial
C_{ur}	520 N	Fatigue load limit, radial
n_G	6.300 1/min	Limiting speed

Dimensions

r_{\min}	0,6 mm	Minimum chamfer dimension
D_2	50,6 mm	Caliber diameter outer ring
d_1	41,6 mm	Shoulder diameter inner ring

Mounting dimensions

$d_{a\min}$	38,2 mm	Minimum diameter shaft shoulder
$D_{a\max}$	51,8 mm	Maximum diameter of housing shoulder
$r_{a\max}$	0,6 mm	Maximum fillet radius

Calculation factors

f_0	15,6	Calculation factor
-------	------	--------------------