

FAG

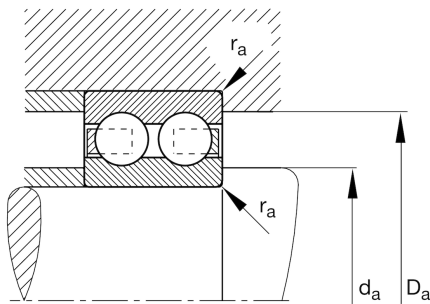
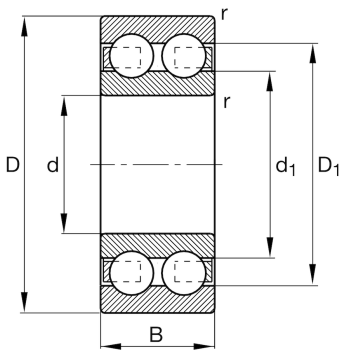
## ★ 4212-B-TVH

Deep groove ball bearing

Schaeffler ID:  
0167144150000Deep groove ball bearing 42...-B-TVH,  
double row, plastic cage

★ Preferred product

## Technical information



## Temperature range

$T_{\min}$	-20 °C	Operating temperature min.
$T_{\max}$	120 °C	Operating temperature max.
	1,077 kg	Weight

## Main Dimensions &amp; Performance Data

d	60 mm	Bore diameter
D	110 mm	Outside diameter
B	28 mm	Width
$C_r$	56.000 N	Basic dynamic load rating, radial
$C_{0r}$	56.000 N	Basic static load rating, radial
$C_{ur}$	2.900 N	Fatigue load limit, radial
$n_G$	5.000 1/min	Limiting speed
$n_{gr}$	5.400 1/min	Reference speed

## Dimensions

$r_{\min}$	1,5 mm	Minimum chamfer dimension
$D_1$	95,3 mm	Shoulder diameter outer ring
$d_1$	79,8 mm	Shoulder diameter inner ring

## Mounting dimensions

$d_{a \min}$	69 mm	Minimum diameter shaft shoulder
$D_{a \max}$	101 mm	Maximum diameter of housing shoulder
$r_{a \max}$	1,5 mm	Maximum fillet radius

## Calculation factors

$f_0$	15	Calculation factor
-------	----	--------------------