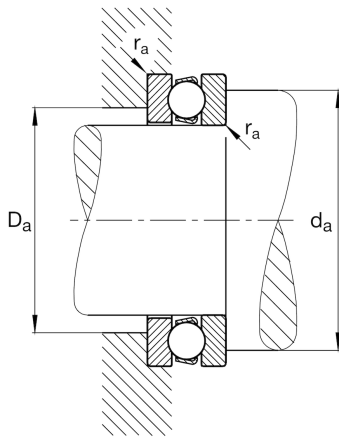
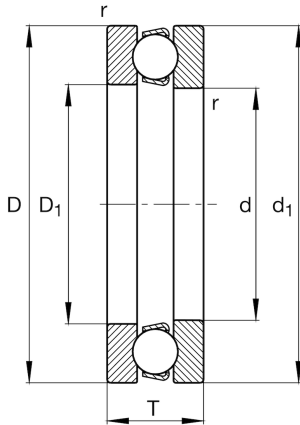
**FAG**★ **51110**

Axial deep groove ball bearing

Schaeffler ID:
0167147250000Axial deep groove ball bearing 511, single
direction, steel sheet metal cage

★ Preferred product

Technical information



Temperature range

T_{min}	-30 °C	Operating temperature min.
T_{max}	150 °C	Operating temperature max.
	0,002 kg	Weight

Main Dimensions & Performance Data

d	50 mm	Bore diameter
D	70 mm	Outside diameter
T	14 mm	Height
C_a	27.000 N	Basic dynamic load rating, axial
C_{0a}	75.000 N	Basic static load rating, axial
C_{ua}	3.400 N	Fatigue load limit, axial
n_G	6.800 1/min	Limiting speed
n_{gr}	5.200 1/min	Reference speed

Dimensions

r_{min}	0,6 mm	Minimum chamfer dimension
D_1	52 mm	Bore diameter housing washer
d_1	70 mm	Lip diameter shaft washer

Mounting dimensions

$d_{a min}$	62 mm	Minimum diameter shaft shoulder
$D_{a max}$	58 mm	Maximum diameter of housing shoulder
$r_{a max}$	0,6 mm	Maximum recess radius

Additional information

A	0,029	Minimum load factor
---	-------	---------------------