



FAG

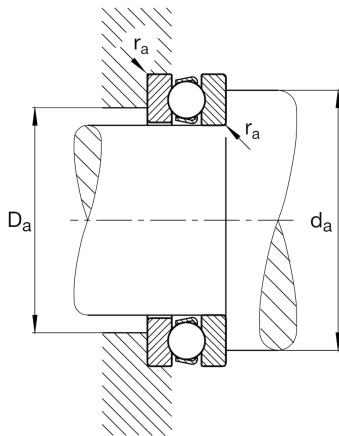
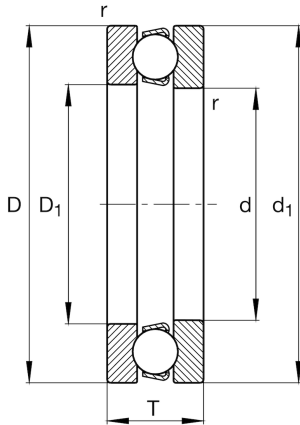
★ 51112

Axial deep groove ball bearing

Schaeffler ID:  
0167147410000Axial deep groove ball bearing 511, single  
direction, steel sheet metal cage

★ Preferred product

## Technical information



## Temperature range

$T_{\min}$	-30 °C	Operating temperature min.
$T_{\max}$	150 °C	Operating temperature max.
	0,003 kg	Weight

## Main Dimensions &amp; Performance Data

d	60 mm	Bore diameter
D	85 mm	Outside diameter
T	17 mm	Height
$C_a$	41.500 N	Basic dynamic load rating, axial
$C_{0a}$	113.000 N	Basic static load rating, axial
$C_{ua}$	5.200 N	Fatigue load limit, axial
$n_G$	5.500 1/min	Limiting speed
$n_{gr}$	4.650 1/min	Reference speed

## Dimensions

$r_{\min}$	1 mm	Minimum chamfer dimension
$D_1$	62 mm	Bore diameter housing washer
$d_1$	85 mm	Lip diameter shaft washer

## Mounting dimensions

$d_{a \min}$	75 mm	Minimum diameter shaft shoulder
$D_{a \max}$	70 mm	Maximum diameter of housing shoulder
$r_{a \max}$	1 mm	Maximum recess radius

## Additional information

A	0,065	Minimum load factor
---	-------	---------------------