

FAG

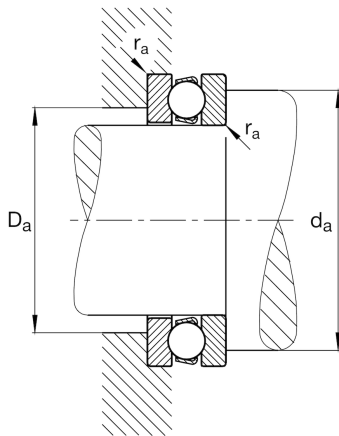
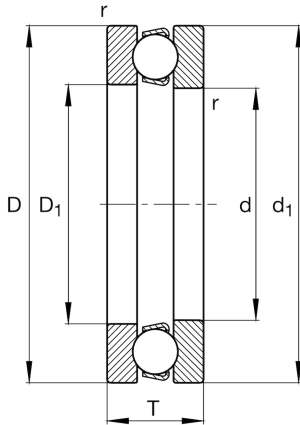
★ 51204

Axial deep groove ball bearing

Schaeffler ID:
0167150120000Axial deep groove ball bearing 512, single
direction, steel sheet metal cage

★ Preferred product

Technical information



Temperature range

| | | |
|------------|--------|----------------------------|
| T_{\min} | -30 °C | Operating temperature min. |
| T_{\max} | 150 °C | Operating temperature max. |
| | 82 g | Weight |

Main Dimensions & Performance Data

| | | |
|----------|--------------|----------------------------------|
| d | 20 mm | Bore diameter |
| D | 40 mm | Outside diameter |
| T | 14 mm | Height |
| C_a | 21.100 N | Basic dynamic load rating, axial |
| C_{0a} | 37.500 N | Basic static load rating, axial |
| C_{ua} | 1.700 N | Fatigue load limit, axial |
| n_G | 8.500 1/min | Limiting speed |
| n_{gr} | 11.600 1/min | Reference speed |

Dimensions

| | | |
|------------|--------|------------------------------|
| r_{\min} | 0,6 mm | Minimum chamfer dimension |
| D_1 | 22 mm | Bore diameter housing washer |
| d_1 | 40 mm | Lip diameter shaft washer |

Mounting dimensions

| | | |
|--------------|--------|--------------------------------------|
| $d_{a \min}$ | 32 mm | Minimum diameter shaft shoulder |
| $D_{a \max}$ | 28 mm | Maximum diameter of housing shoulder |
| $r_{a \max}$ | 0,6 mm | Maximum recess radius |

Additional information

| | | |
|---|-------|---------------------|
| A | 0,007 | Minimum load factor |
|---|-------|---------------------|