

FAG

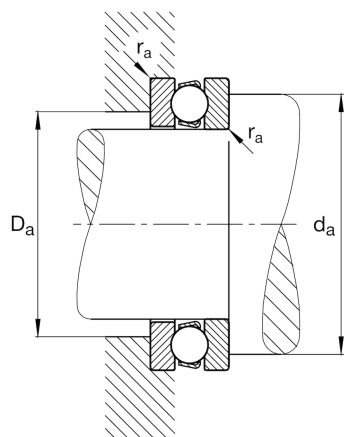
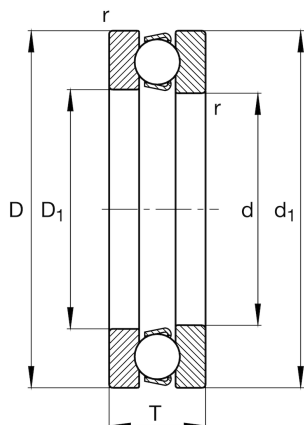
★ 51211

Axial deep groove ball bearing

Schaeffler ID:
0167150980000Axial deep groove ball bearing 512, single
direction, steel sheet metal cage

★ Preferred product

Technical information



Temperature range

| | | |
|------------|----------|----------------------------|
| T_{\min} | -30 °C | Operating temperature min. |
| T_{\max} | 150 °C | Operating temperature max. |
| | 0,557 kg | Weight |

Main Dimensions & Performance Data

| | | |
|----------|-------------|----------------------------------|
| d | 55 mm | Bore diameter |
| D | 90 mm | Outside diameter |
| T | 25 mm | Height |
| C_a | 58.000 N | Basic dynamic load rating, axial |
| C_{0a} | 133.000 N | Basic static load rating, axial |
| C_{ua} | 6.000 N | Fatigue load limit, axial |
| n_G | 4.350 1/min | Limiting speed |
| n_{gr} | 5.700 1/min | Reference speed |

Dimensions

| | | |
|------------|-------|------------------------------|
| r_{\min} | 1 mm | Minimum chamfer dimension |
| D_1 | 57 mm | Bore diameter housing washer |
| d_1 | 90 mm | Lip diameter shaft washer |

Mounting dimensions

| | | |
|--------------|-------|--------------------------------------|
| $d_{a \min}$ | 76 mm | Minimum diameter shaft shoulder |
| $D_{a \max}$ | 69 mm | Maximum diameter of housing shoulder |
| $r_{a \max}$ | 1 mm | Maximum recess radius |

Additional information

| | | |
|---|------|---------------------|
| A | 0,11 | Minimum load factor |
|---|------|---------------------|