

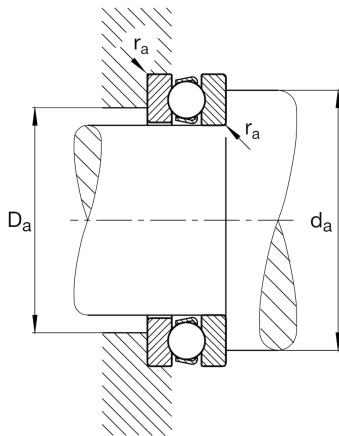
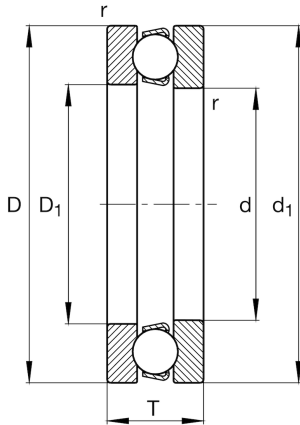
**FAG**★ **51409**

Axial deep groove ball bearing

Schaeffler ID:  
0167154540000Axial deep groove ball bearing 514, single  
direction, steel sheet metal cage

★ Preferred product

## Technical information



## Temperature range

$T_{\min}$	-30 °C	Operating temperature min.
$T_{\max}$	150 °C	Operating temperature max.
	1,424 kg	Weight

## Main Dimensions &amp; Performance Data

d	45 mm	Bore diameter
D	100 mm	Outside diameter
T	39 mm	Height
$C_a$	123.000 N	Basic dynamic load rating, axial
$C_{0a}$	222.000 N	Basic static load rating, axial
$C_{ua}$	10.100 N	Fatigue load limit, axial
$n_G$	2.850 1/min	Limiting speed
$n_{gr}$	6.900 1/min	Reference speed

## Dimensions

$r_{\min}$	1,1 mm	Minimum chamfer dimension
$D_1$	47 mm	Bore diameter housing washer
$d_1$	100 mm	Lip diameter shaft washer

## Mounting dimensions

$d_{a\min}$	78 mm	Minimum diameter shaft shoulder
$D_{a\max}$	67 mm	Maximum diameter of housing shoulder
$r_{a\max}$	1 mm	Maximum recess radius

## Additional information

A	0,29	Minimum load factor
---	------	---------------------