



FAG

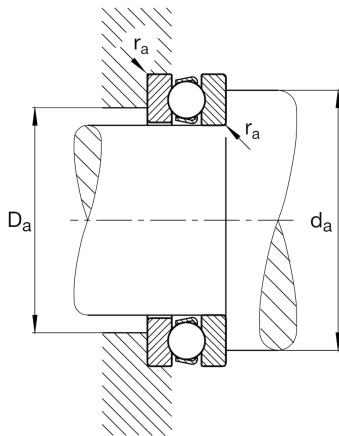
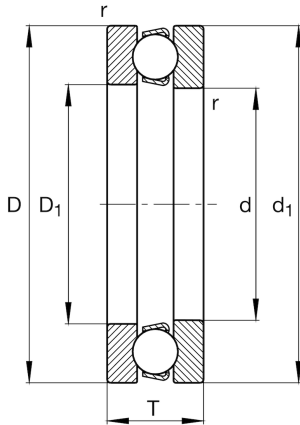
★ 51410

Axial deep groove ball bearing

Schaeffler ID:
0167154620000Axial deep groove ball bearing 514, single
direction, steel sheet metal cage

★ Preferred product

Technical information



Temperature range

T_{\min}	-30 °C	Operating temperature min.
T_{\max}	150 °C	Operating temperature max.
	1,91 kg	Weight

Main Dimensions & Performance Data

d	50 mm	Bore diameter
D	110 mm	Outside diameter
T	43 mm	Height
C_a	138.000 N	Basic dynamic load rating, axial
C_{0a}	255.000 N	Basic static load rating, axial
C_{ua}	11.700 N	Fatigue load limit, axial
n_G	2.650 1/min	Limiting speed
n_{gr}	6.500 1/min	Reference speed

Dimensions

r_{\min}	1,5 mm	Minimum chamfer dimension
D_1	52 mm	Bore diameter housing washer
d_1	110 mm	Lip diameter shaft washer

Mounting dimensions

$d_{a\min}$	86 mm	Minimum diameter shaft shoulder
$D_{a\max}$	74 mm	Maximum diameter of housing shoulder
$r_{a\max}$	1,5 mm	Maximum recess radius

Additional information

A	0,4	Minimum load factor
---	-----	---------------------