

FAG

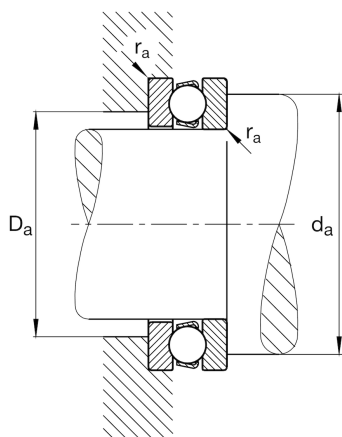
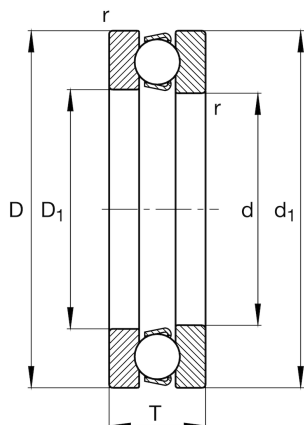
★ 51411

Axial deep groove ball bearing

Schaeffler ID:
0167154700000Axial deep groove ball bearing 514, single
direction, steel sheet metal cage

★ Preferred product

Technical information



Temperature range

T_{\min}	-30 °C	Operating temperature min.
T_{\max}	150 °C	Operating temperature max.
	2,533 kg	Weight

Main Dimensions & Performance Data

d	55 mm	Bore diameter
D	120 mm	Outside diameter
T	48 mm	Height
C_a	167.000 N	Basic dynamic load rating, axial
C_{0a}	315.000 N	Basic static load rating, axial
C_{ua}	14.400 N	Fatigue load limit, axial
n_G	2.340 1/min	Limiting speed
n_{gr}	6.000 1/min	Reference speed

Dimensions

r_{\min}	1,5 mm	Minimum chamfer dimension
D_1	57 mm	Bore diameter housing washer
d_1	120 mm	Lip diameter shaft washer

Mounting dimensions

$d_{a \min}$	94 mm	Minimum diameter shaft shoulder
$D_{a \max}$	81 mm	Maximum diameter of housing shoulder
$r_{a \max}$	1,5 mm	Maximum recess radius

Additional information

A	0,59	Minimum load factor
---	------	---------------------