



FAG

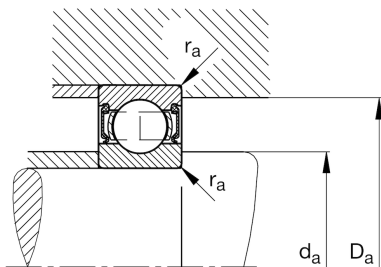
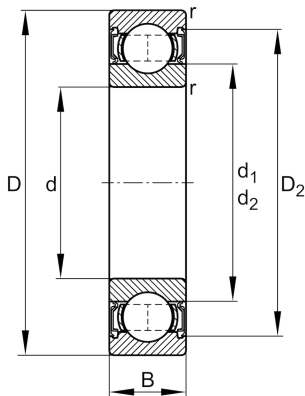
★ 6007-2RSR

Deep groove ball bearing

Schaeffler ID:
0167174490000Deep groove ball bearing 60...-2RSR,
single row, seals, steel sheet metal cage

★ Preferred product

Technical information



Temperature range

T_{\min}	-20 °C	Operating temperature min.
T_{\max}	110 °C	Operating temperature max.
	0,153 kg	Weight

Main Dimensions & Performance Data

d	35 mm	Bore diameter
D	62 mm	Outside diameter
B	14 mm	Width
C_r	17.000 N	Basic dynamic load rating, radial
C_{0r}	10.300 N	Basic static load rating, radial
C_{ur}	560 N	Fatigue load limit, radial
n_G	6.200 1/min	Limiting speed

Dimensions

r_{\min}	1 mm	Minimum chamfer dimension
D_2	55,4 mm	Caliber diameter outer ring
d_1	43,2 mm	Shoulder diameter inner ring

Mounting dimensions

$d_{a\min}$	39,6 mm	Minimum diameter shaft shoulder
$D_{a\max}$	57,4 mm	Maximum diameter of housing shoulder
$r_{a\max}$	1 mm	Maximum fillet radius

Calculation factors

f_0	14,9	Calculation factor
-------	------	--------------------