

FAG

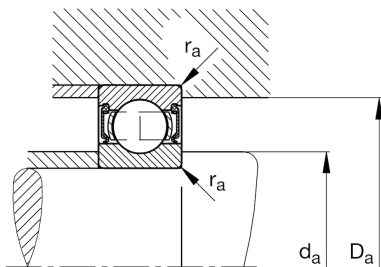
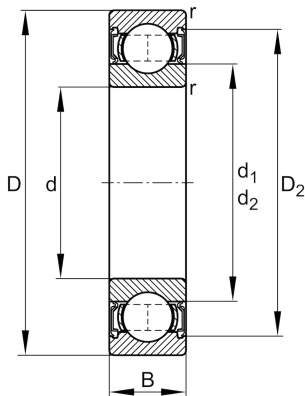
★ 6009-2RSR

Deep groove ball bearing

Schaeffler ID:
0167176190000Deep groove ball bearing 60...-2RSR,
single row, seals, steel sheet metal cage

★ Preferred product

Technical information



Temperature range

T_{\min}	-20 °C	Operating temperature min.
T_{\max}	110 °C	Operating temperature max.
	1,92 kg	Weight

Main Dimensions & Performance Data

d	45 mm	Bore diameter
D	75 mm	Outside diameter
B	16 mm	Width
C_r	21.200 N	Basic dynamic load rating, radial
C_{0r}	14.400 N	Basic static load rating, radial
C_{ur}	750 N	Fatigue load limit, radial
n_G	4.950 1/min	Limiting speed

Dimensions

r_{\min}	1 mm	Minimum chamfer dimension
D_2	68 mm	Caliber diameter outer ring
d_1	54,2 mm	Shoulder diameter inner ring

Mounting dimensions

$d_{a\min}$	49,6 mm	Minimum diameter shaft shoulder
$D_{a\max}$	70,4 mm	Maximum diameter of housing shoulder
$r_{a\max}$	1 mm	Maximum fillet radius

Calculation factors

f_0	15,3	Calculation factor
-------	------	--------------------